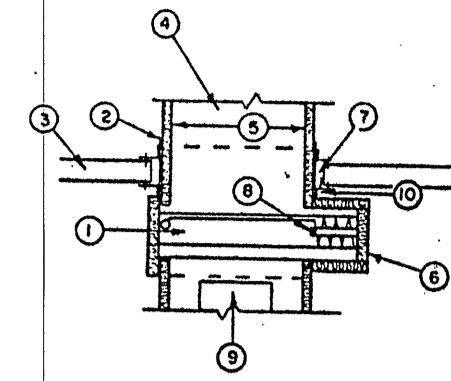


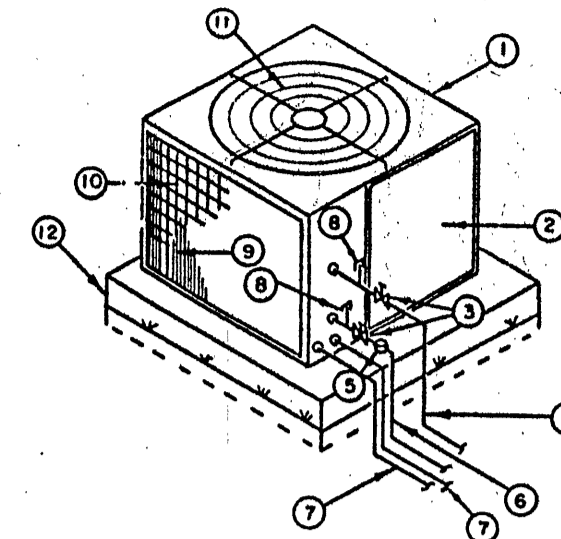
- 1 DUCT
- 2 SHEET-METAL STRAP
- 3 METAL GANGE AS DUCT
- 4 ANGLE - NOT LESS THAN 1" X 1" X 1/8" (25.4 X 25.4 X 3.18), SIZED TO MATCH DUCT
- 5 SHEET-METAL BAND
- 6 METAL GANGE AS DUCT
- 7 ALL-TERRAIN BANDER ROD WITH ACCESSORIES AS USED FOR LIGHT PIPE HANGER

1 SHEET-METAL DUCT HANGERS
M102 N.T.S.



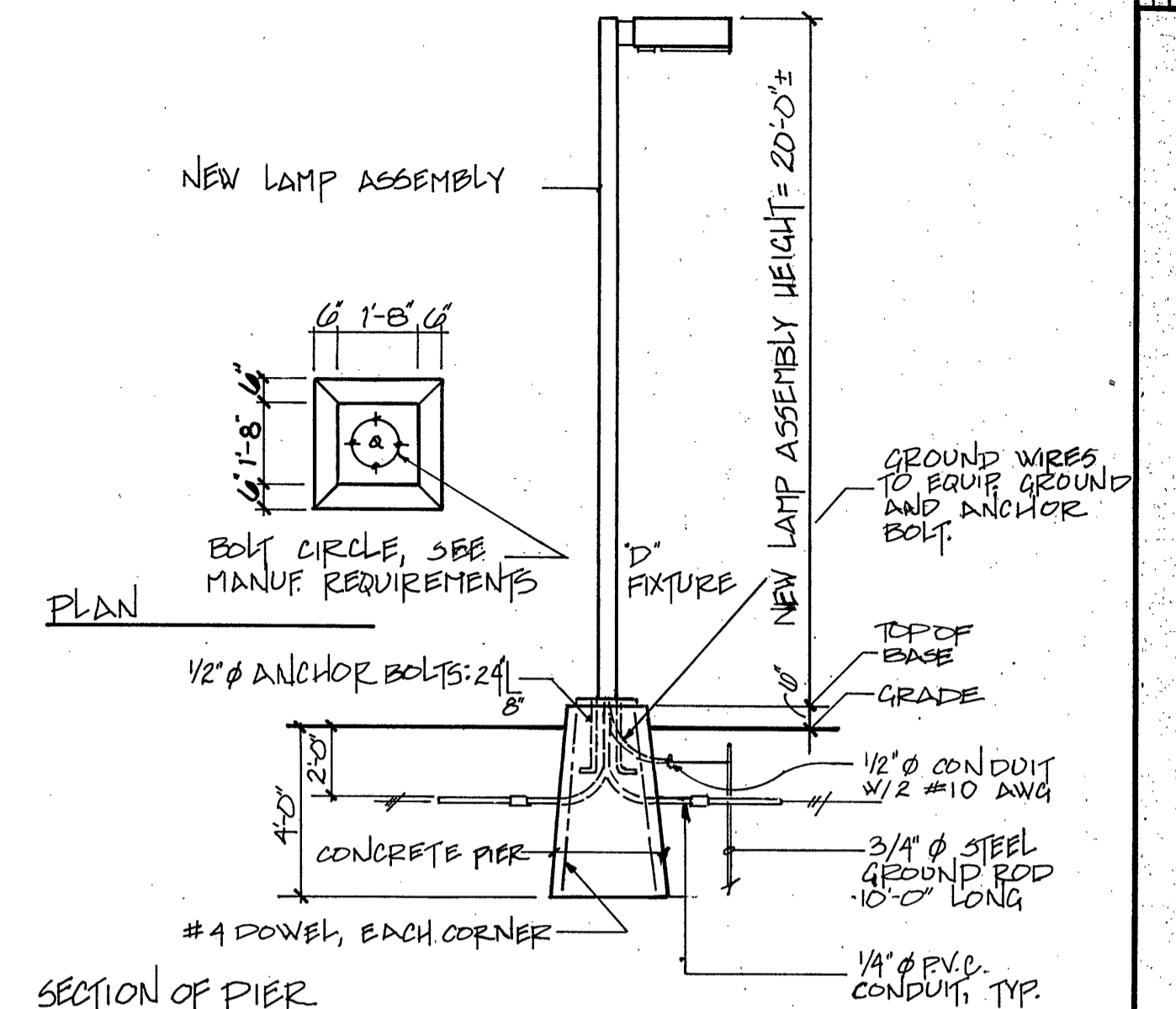
- 1 UL-LISTED TYPE "B" FIRE DAMPER
- 2 14-GA. (3-MM) SLEEVE THRU FLOOR
- 3 FIRE-RATED FLOOR JOIST/RAIL
- 4 INSIDE DUCT LINER - SEE SPEC
- 5 EXTERNAL INSULATION WITH VAPOR BARRIER
- 6 1/2" (13-MM) MINIMUM CLEARANCE FIRE-STOP
- 7 UL-LISTED FIRESTOP LINER 130 DEG. F (537 DEG. C)
- 8 ACCESS DOOR 12" X 12" (305 X 305-MM) MINIMUM
- 9 1/2" X 1 1/2" X 1/4" (38 X 38 X 3-MM) RESTRAINER ANGLES

2 FIRE DAMPER IN FLOOR SYSTEM
M102 N.T.S.

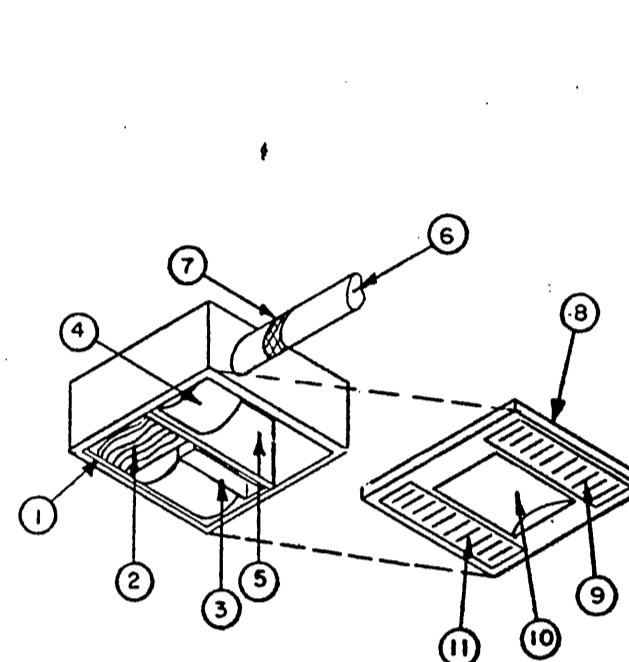


- 1 CONDENSING UNIT
- 2 COMPRESSOR ACCESS PANEL
- 3 BACK-SERVE REFRIGERANT VALVE
- 4 REFRIGERANT SUCTION LINE WITH INSULATION
- 5 SIGHT GLASS WITH MOISTURE INDICATOR
- 6 REFRIGERANT LIQUID LINE
- 7 CONDUIT - POWER AND CONTROL
- 8 REFRIGERANT GAUGE CONNECTION
- 9 COMPRESSOR COIL
- 10 COIL GUARD
- 11 FAN GUARD
- 12 CONCRETE PAD IF REQUIRED

3 AIR-COOLED CONDENSING UNIT - SLAB MOUNTED
M102 N.T.S.

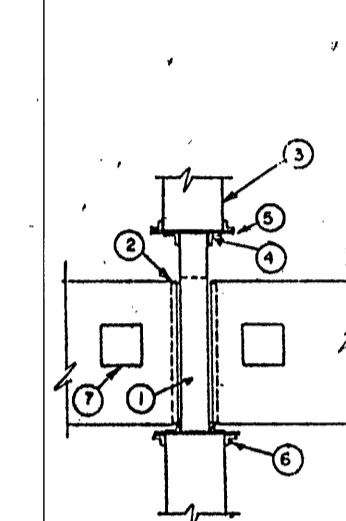


4 LIGHT BASE AND POLE DETAILS
M102 SCALE: 3/8" = 1'-0"



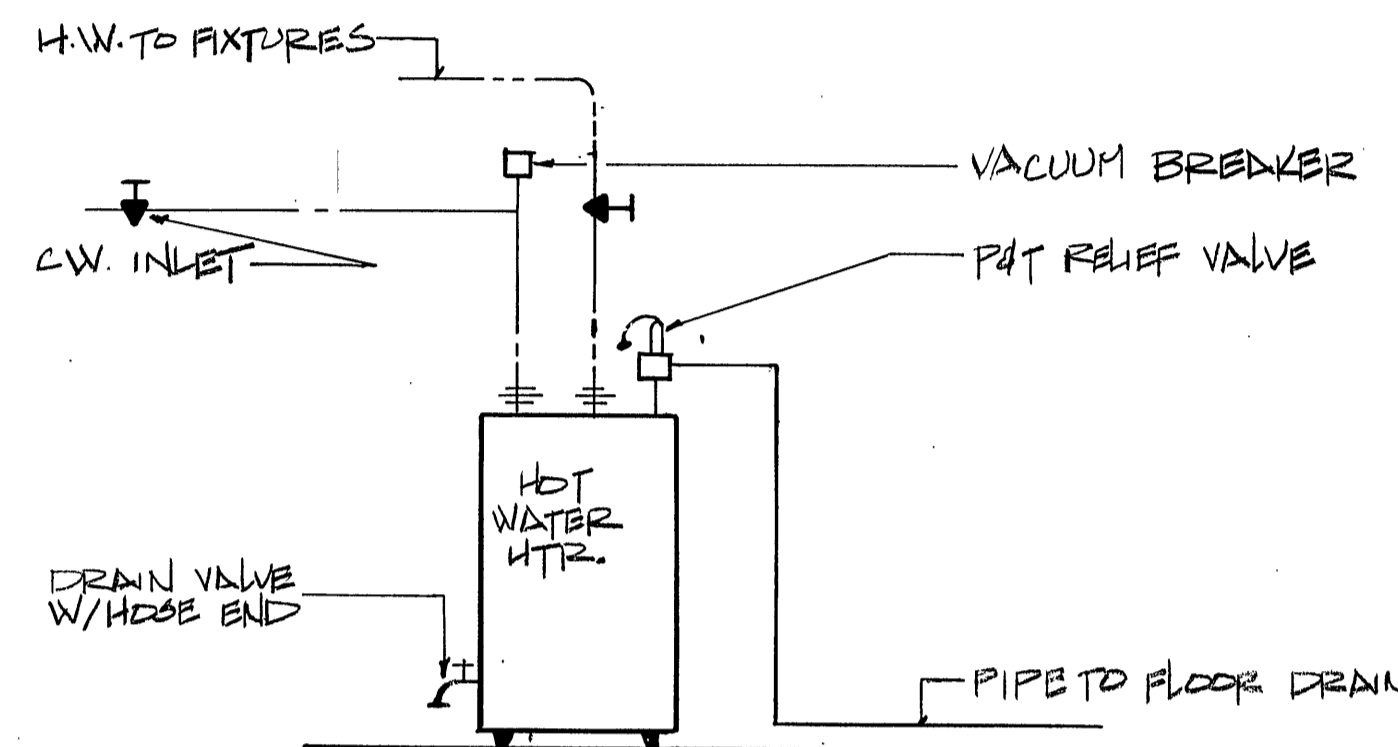
- 1 HEATER ELEMENT
- 2 INTAKE AIR TO BE HEATED
- 3 HEATED AIR DISCHARGE
- 4 CENTRIFUGAL EXHAUST FAN
- 5 INTAKE AIR TO BE EXHAUSTED
- 6 EXHAUST AIR TO OUTSIDE
- 7 DUCT CONNECTION
- 8 UNIT GRILLE
- 9 EXHAUST INTAKE GRILLE
- 10 LIGHT FIXTURE
- 11 INTAKE AIR TO HEATER GRILLE

5 EXHAUST FAN, HEATER AND LIGHT
M102 N.T.S.

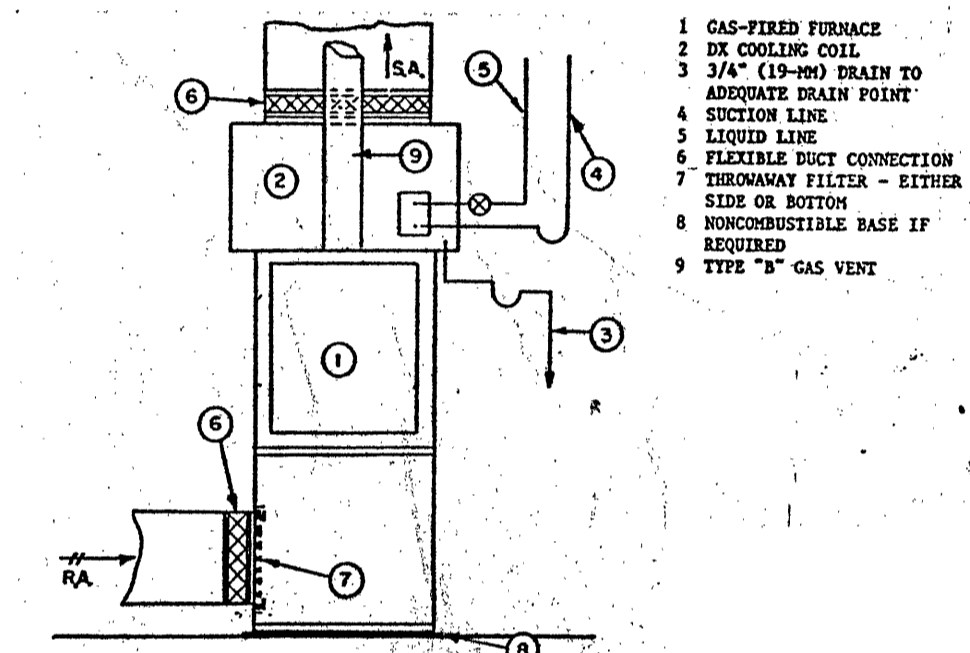


- 1 FIRE DAMPER - SEE SPEC
- 2 ATTACH DUCTWORK TO FIRE DAMPER WITH REINFORCED ANGLE "B" SLIP (TYPICAL ALL CONNECTIONS)
- 3 FIREWALL
- 4 1" X 1" X 1/8" (25.4 X 25.4 X 3-MM) ANGLE TO SECURE FIRE DAMPER IN WALL SLEEVE
- 5 10-GAUGE WALL SLEEVE - ALL SIDES OF WALL OPENING
- 6 1" X 1" X 1/8" (25.4 X 25.4 X 3-MM) ANGLE ALL SIDES TO SECURE WALL SLEEVE IN WALL OPENING
- 7 12" X 12" (305 X 305-MM) ACCESS DOOR FOR RESET OF FIRE DAMPER

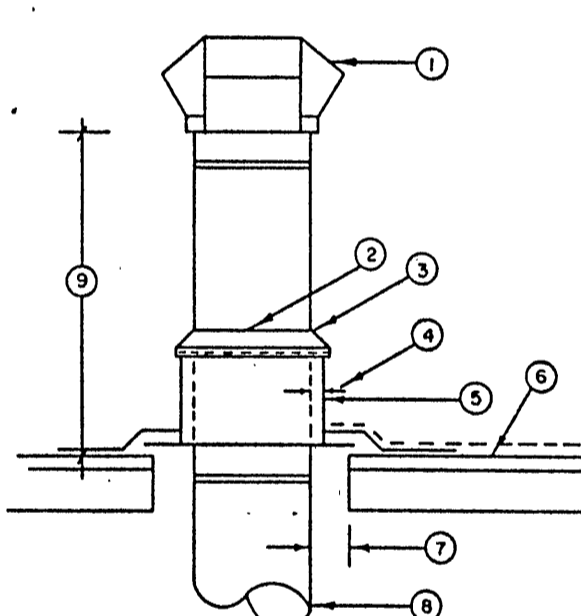
6 1/2 HOUR FIRE DAMPER IN WALL
M102 N.T.S.



7 HOT WATER HEATER PIPING DIAGRAM
M102 N.T.S.

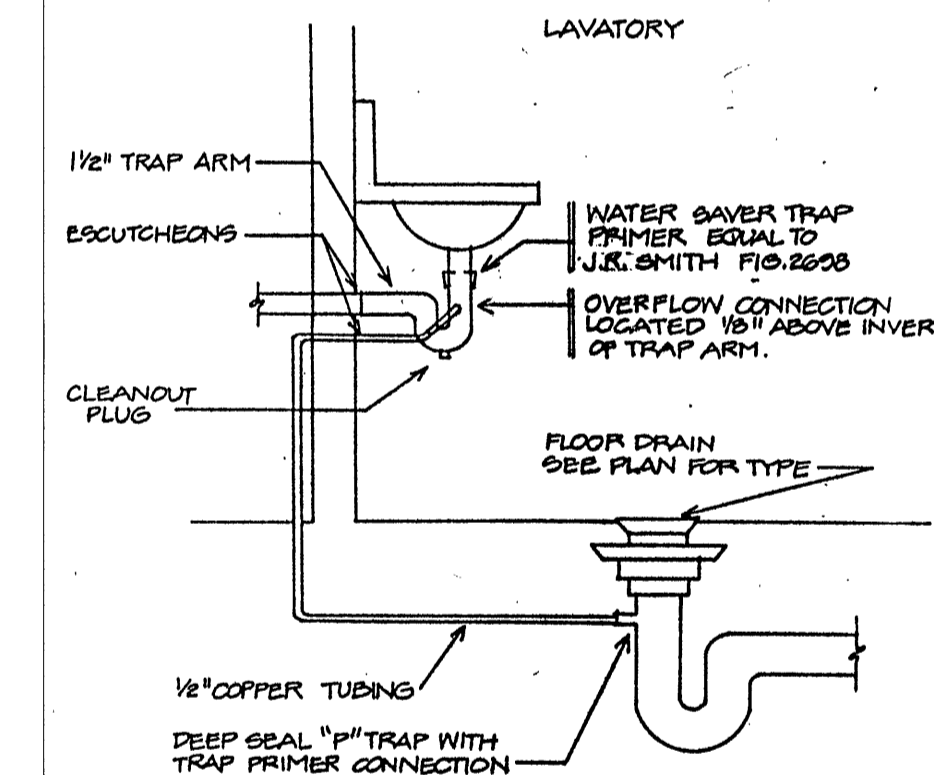


8 UPFLOW FURNACE WITH DX COOLING COIL
M102 N.T.S.

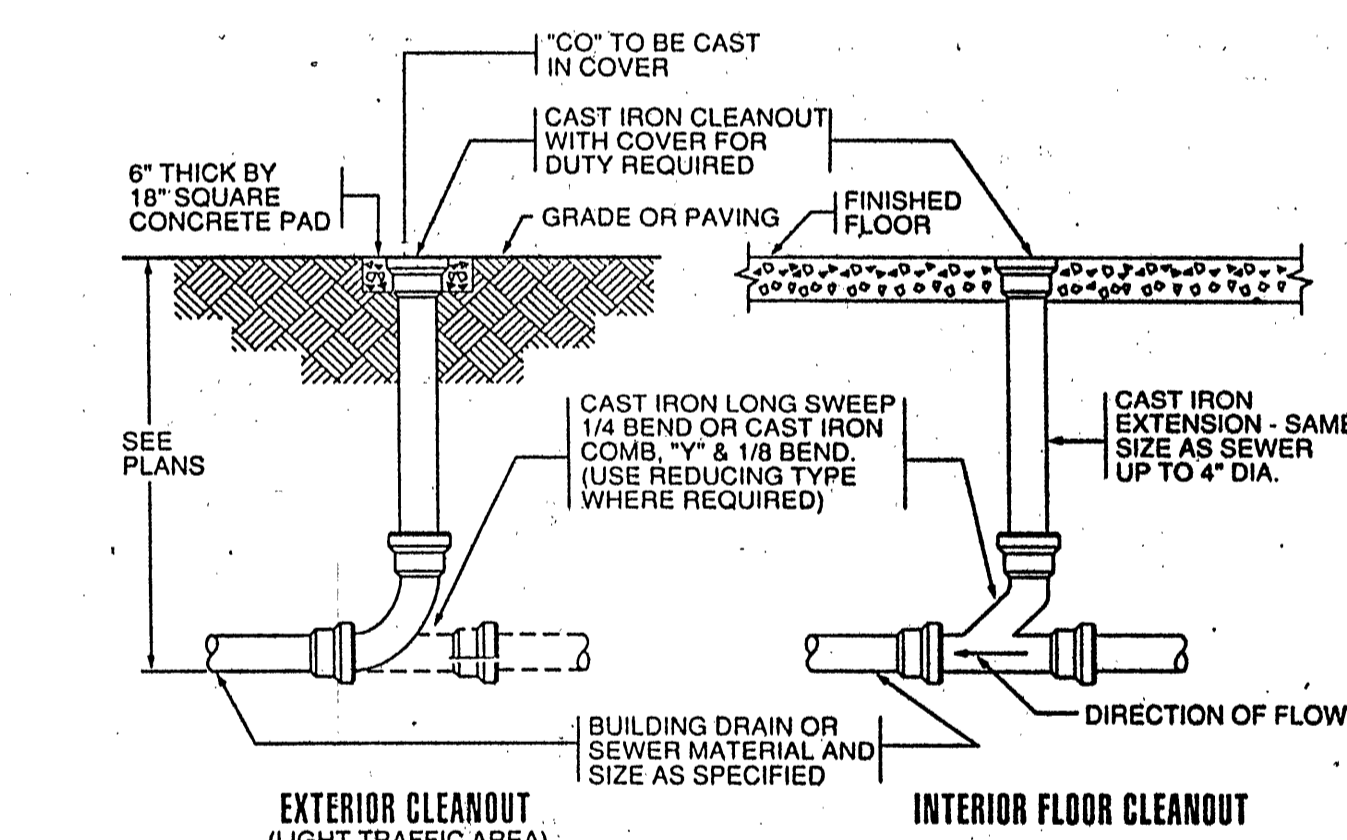


- 1 UL-LISTED VENT CAP
- 2 STORM COLLAR
- 3 MASTIC OR CAULKING
- 4 1/2" (13-MM) AIR SPACE
- 5 TALL CONE FLASHING
- 6 ROOF
- 7 1 1/2" (38-MM) MINIMUM
- 8 UL-LISTED TYPE "B" VENT
- 9 HEIGHT AS REQUIRED BY CODE NOT LESS THAN 36" (91.5 CM)

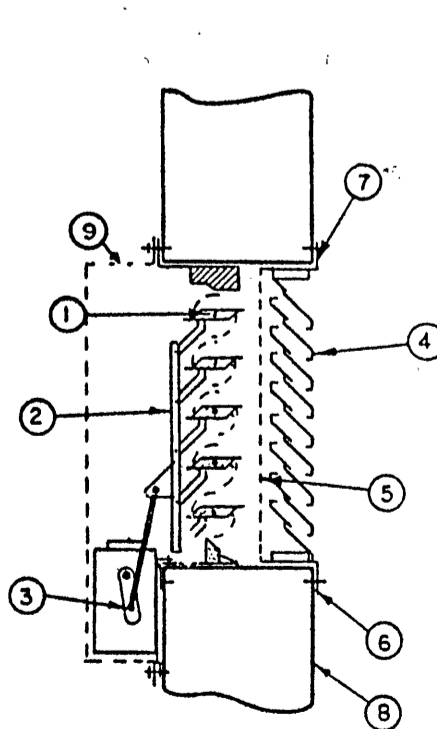
9 VENT THRU ROOF WITH VENT CAP
M102 N.T.S.



10 LAVATORY TRAP PRIMER
M102 N.T.S.



11 CLEANOUT DETAILS
M102 N.T.S.



- 1 INSULATED, LOW-LEAKAGE DAMPERS
 - 2 DAMPER LINKAGE ASSEMBLY
 - 3 DAMPER OPERATOR AND MOTOR
 - 4 WEATHERPROOF LOUVERS
 - 5 1/2" X 1/4" (13 X 3-MM) PVC-COATED GALVANIZED BIRD SCREEN
 - 6 CAULK AND SEAL ALL EXTERIOR WALL OPENINGS
 - 7 LOUVER TO BE RECESSED ON EXTERIOR WALL
 - 8 EXTERIOR WALL
 - 9 WOVEN WIRE GUARD - REMOVABLE FOR ACCESS TO DAMPER AND MOTOR
- NOTE: DAMPER, LOUVER, AND GUARD ARE TO HAVE MINIMUM OF 80% FREE AREA
- INSULATED MOVABLE DAMPERS MOUNTED BEHIND WEATHERPROOF WALL LOUVERS WITH CYB GUARD - INTAKE SERVICE FOR VENTILATION SYSTEM

12 INSULATED MOVABLE DAMPERS
M102 N.T.S.