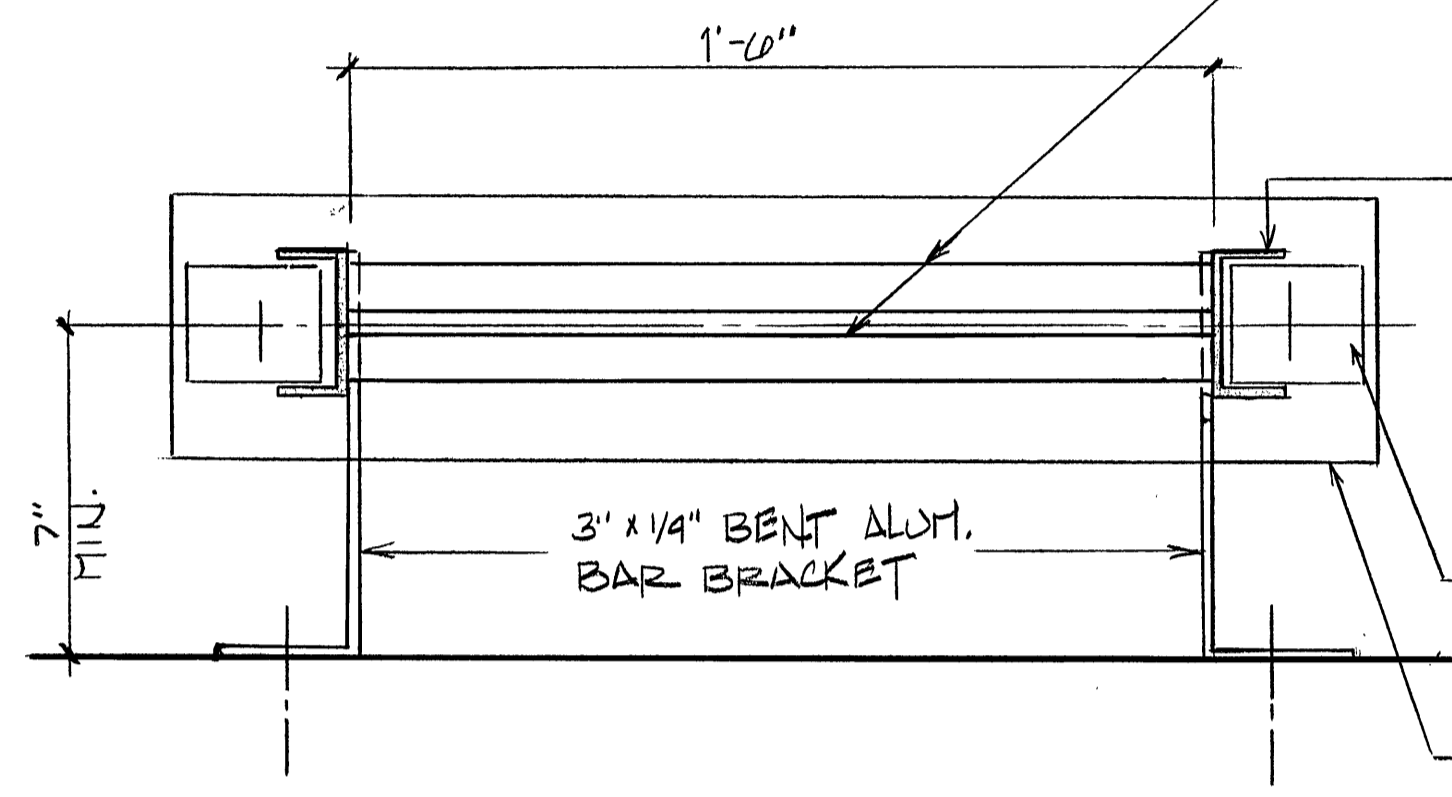
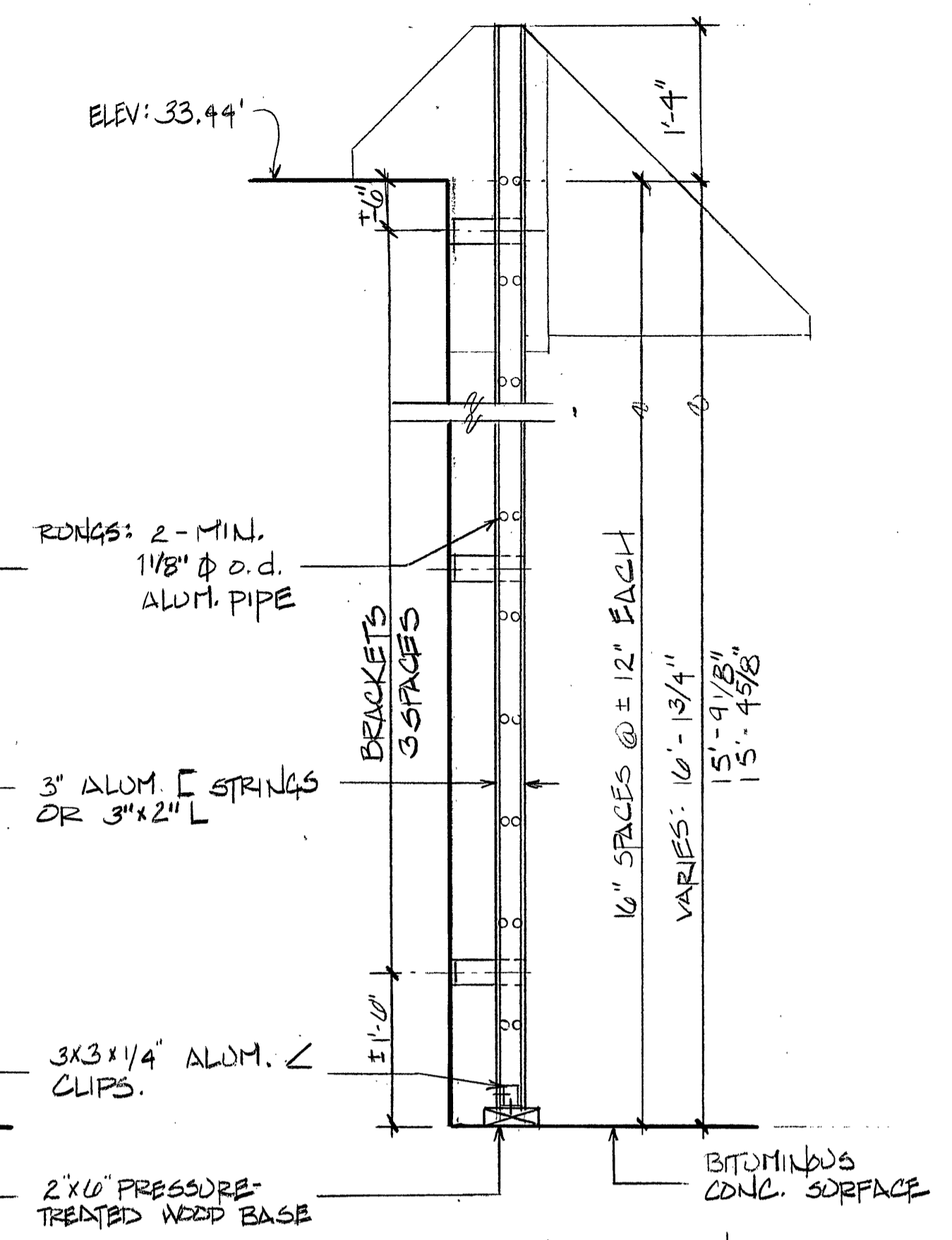


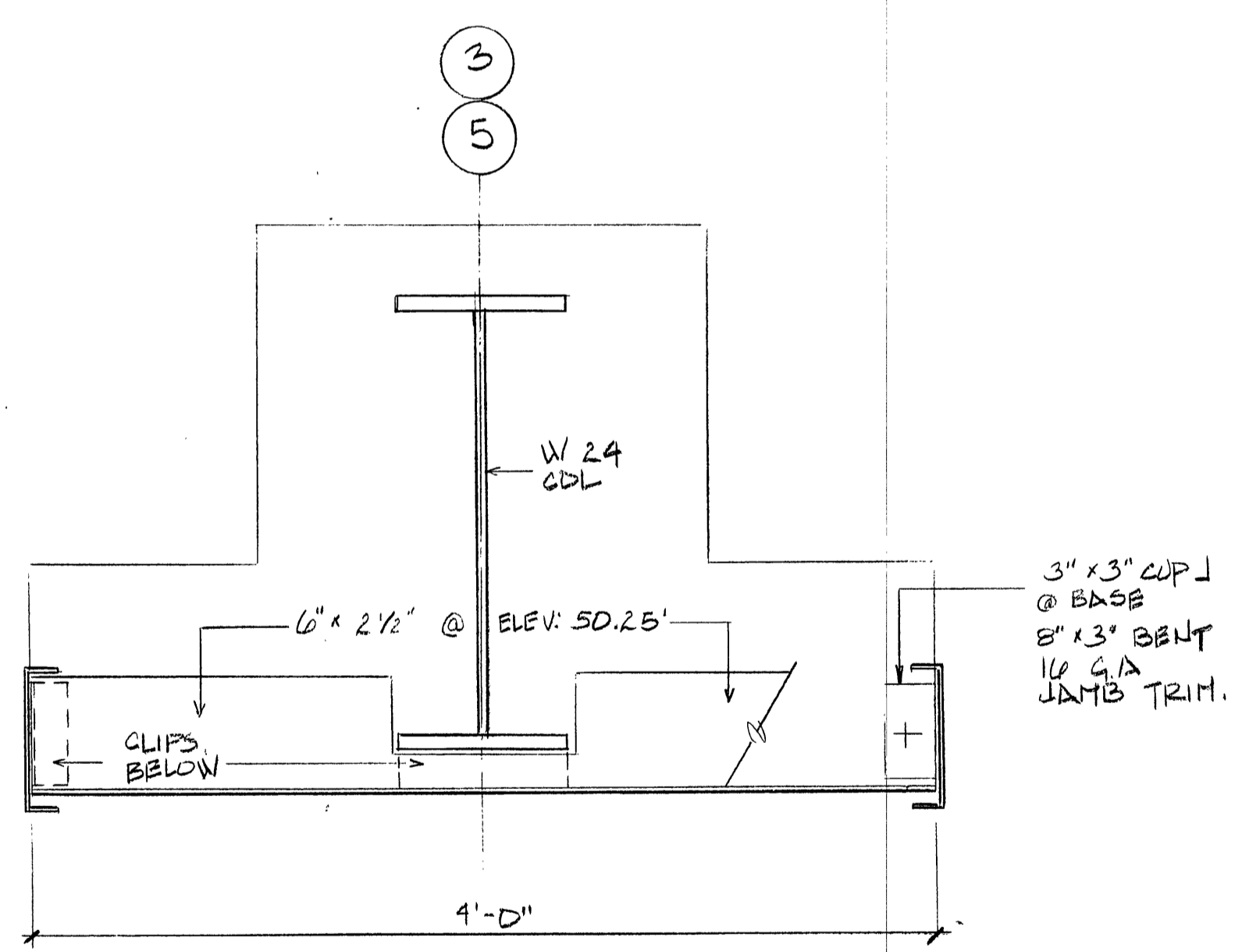
1 RAIL DETAIL - INTERIOR STAIRWAY
SCALE: 3/4" = 1'-0"



2 LADDER - PLAN DETAIL
SCALE: 3" = 1'-0"

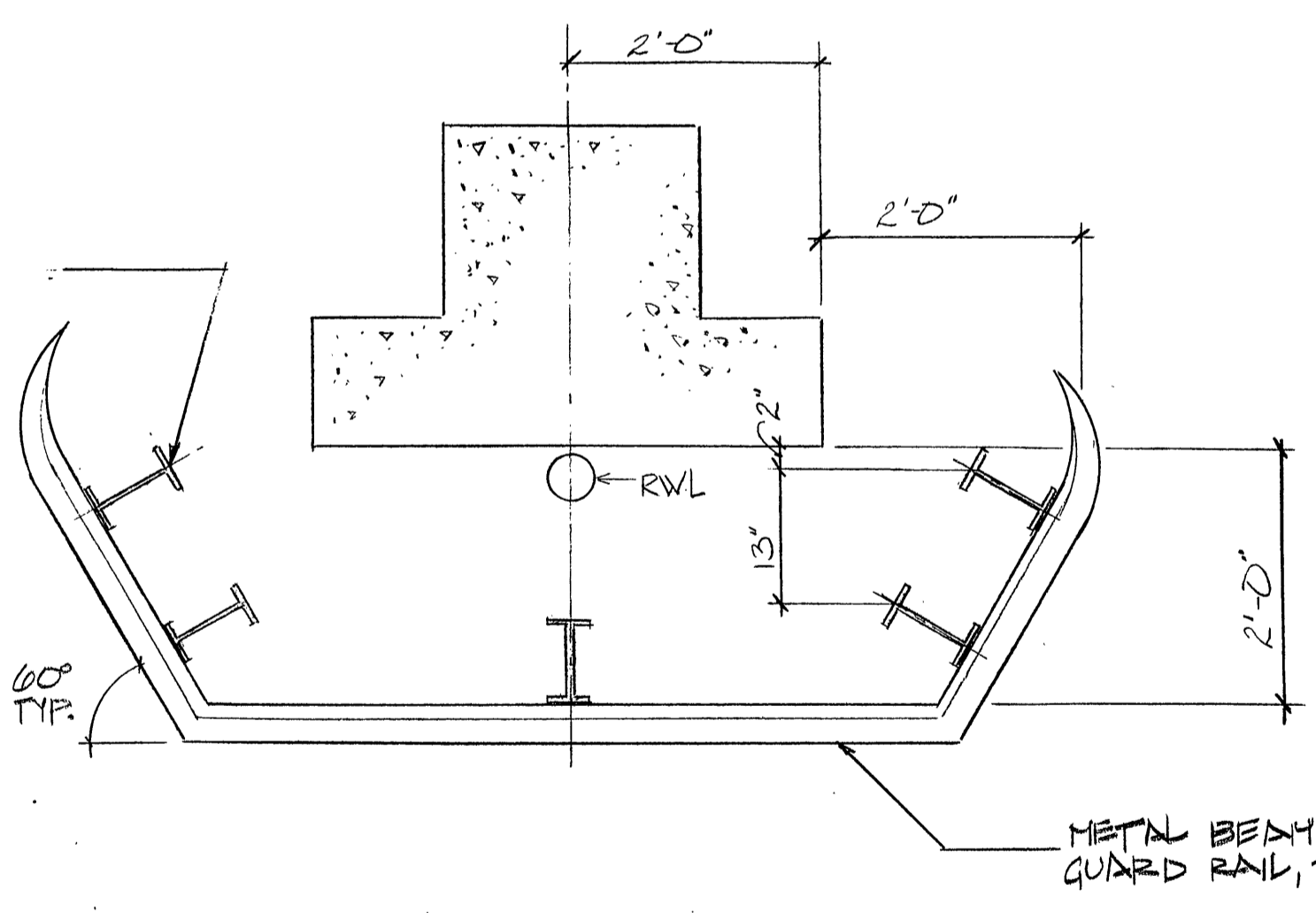


3 LADDER ELEVATION
SCALE: 3/4" = 1'-0"

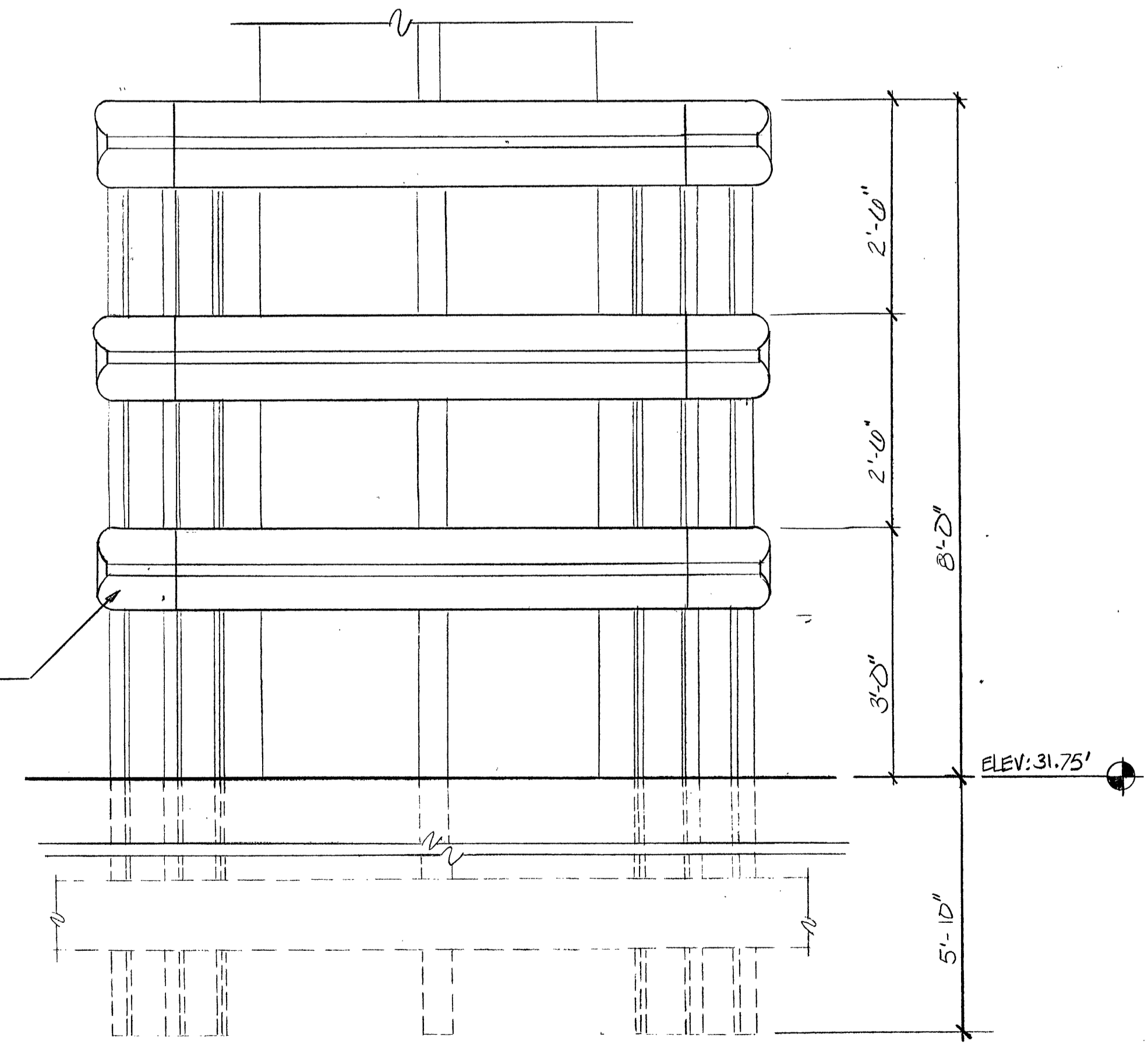


4 PLAN DETAIL @ COLUMNS G-3 & G-5
SCALE: 1/2" = 1'-0"

NOTE: JAMB CONDITION SIMILAR AT G-1 & G-7 LOCATIONS.



5 METAL BEAM GUARD RAIL, TYP.
SCALE: 3/4" = 1'-0"



6 ELEVATION OF METAL BEAM GUARD RAIL
SCALE: 3/4" = 1'-0"