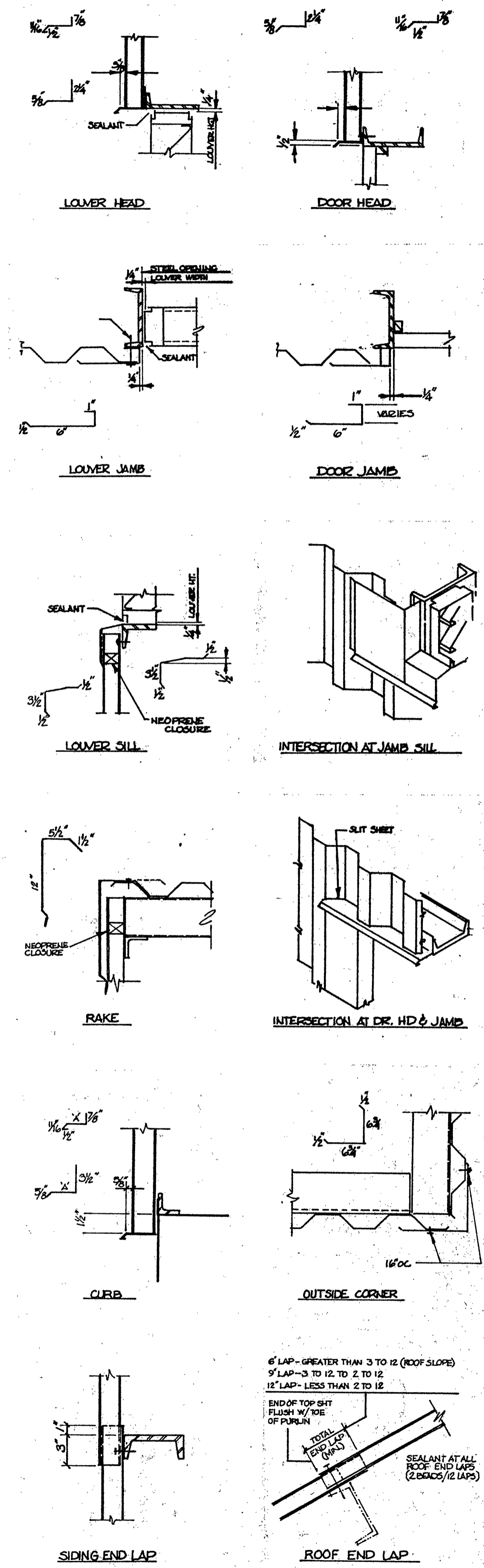


1 NORTH ELEVATION
 SCALE 3/16" = 1'-0"



2 METAL PANEL DETAILS
 N.T.S.