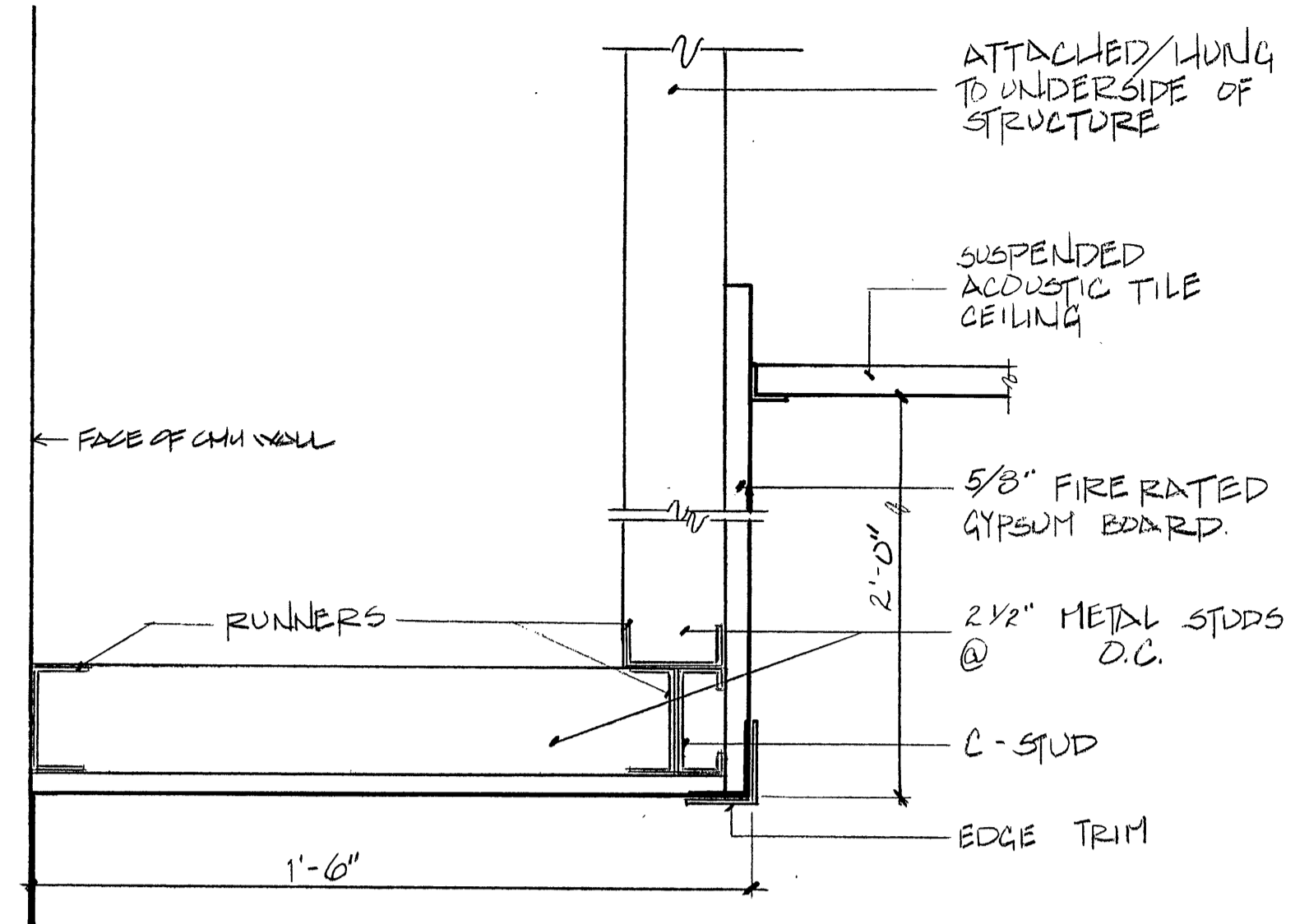
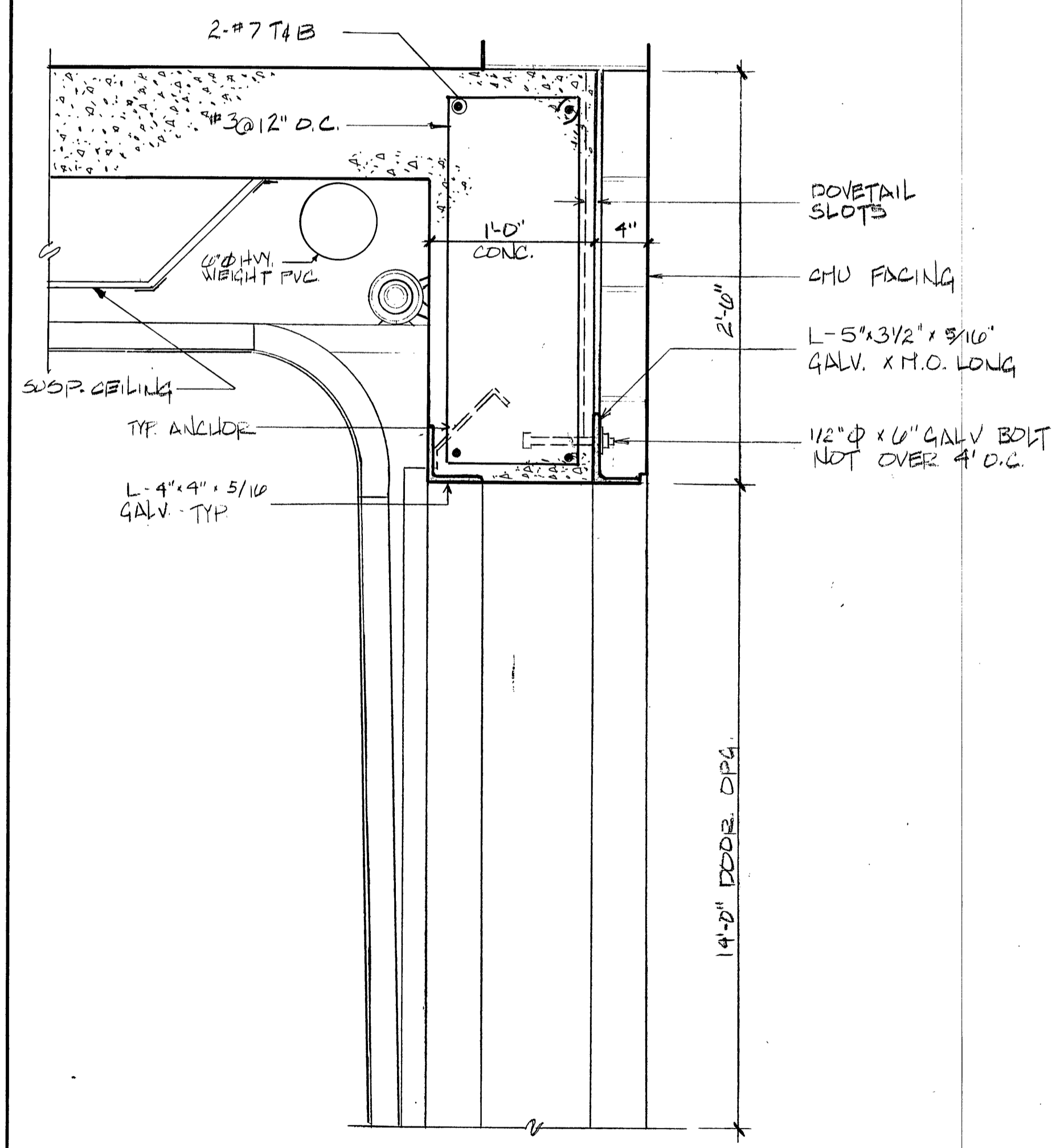


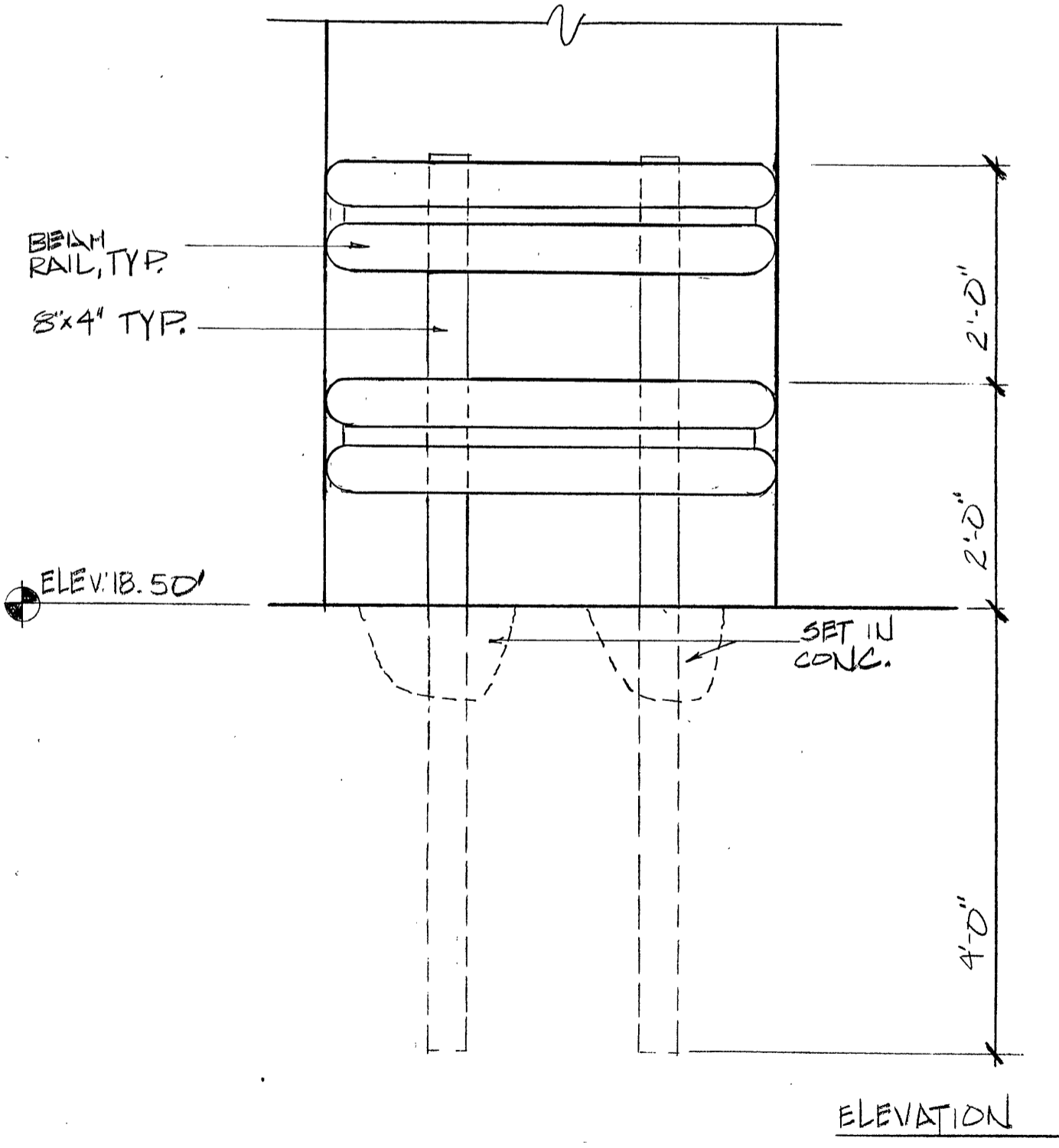
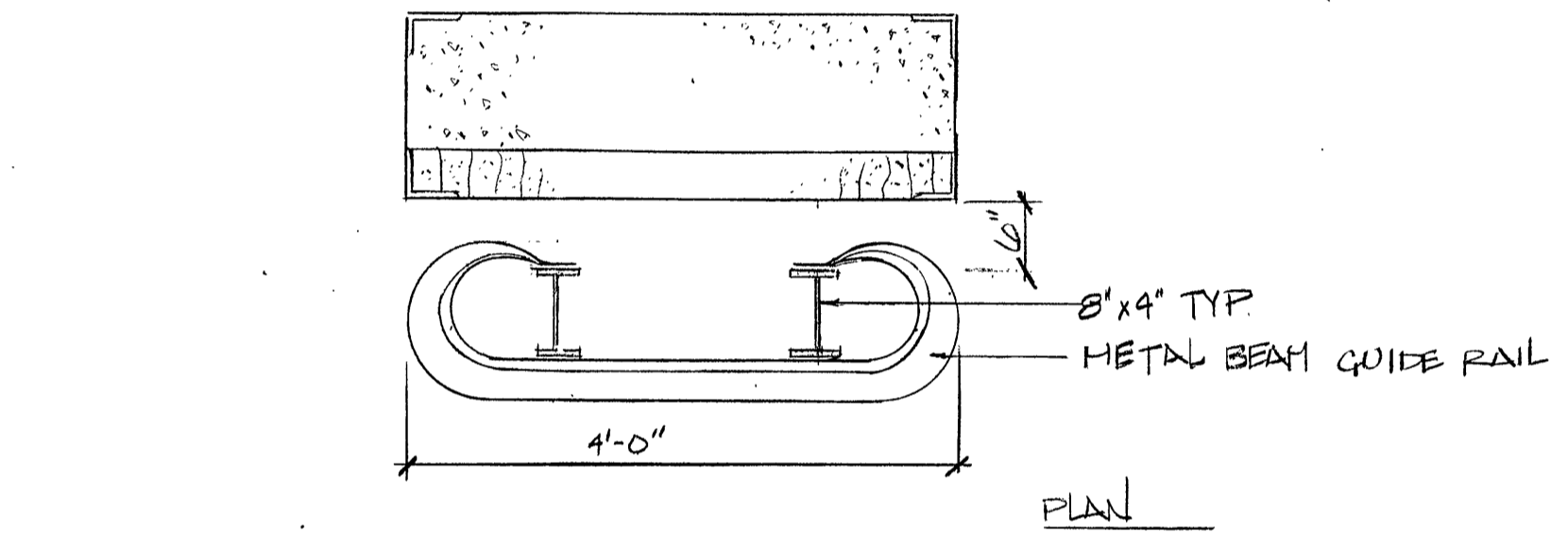
1 OVERHEAD DOOR-JAMB DETAIL
 A107 SCALE: 3" = 1'-0"



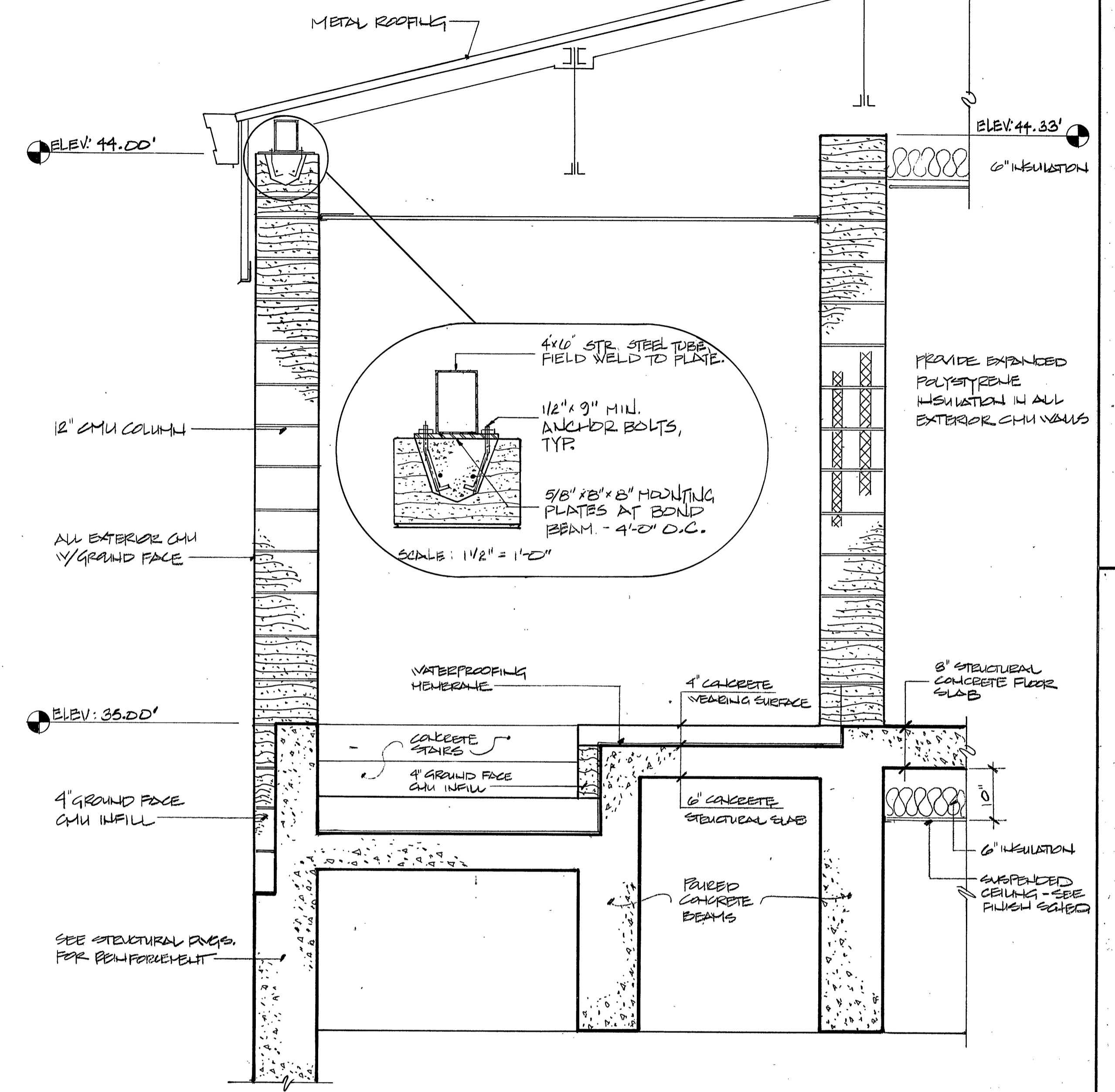
2 CLOSURE DETAIL OVER LOCKERS
 A107 SCALE: 3" = 1'-0"



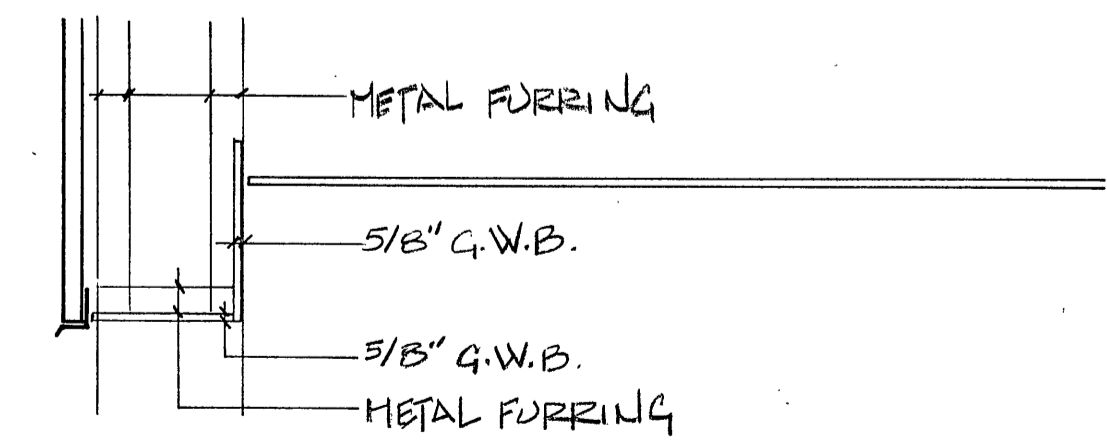
4 OVERHEAD DOOR-HEAD DETAIL
 A107 SCALE: 1 1/2" = 1'-0"



5 BEAM RAIL BARRIER DETAILS
 A107 SCALE: 3/4" = 1'-0"



3 RAMP - LATERAL SECTION
 A107 SCALE: 3/4" = 1'-0"



4 SOFFIT OVER RAMP
 A107 SCALE: 3/4" = 1'-0"