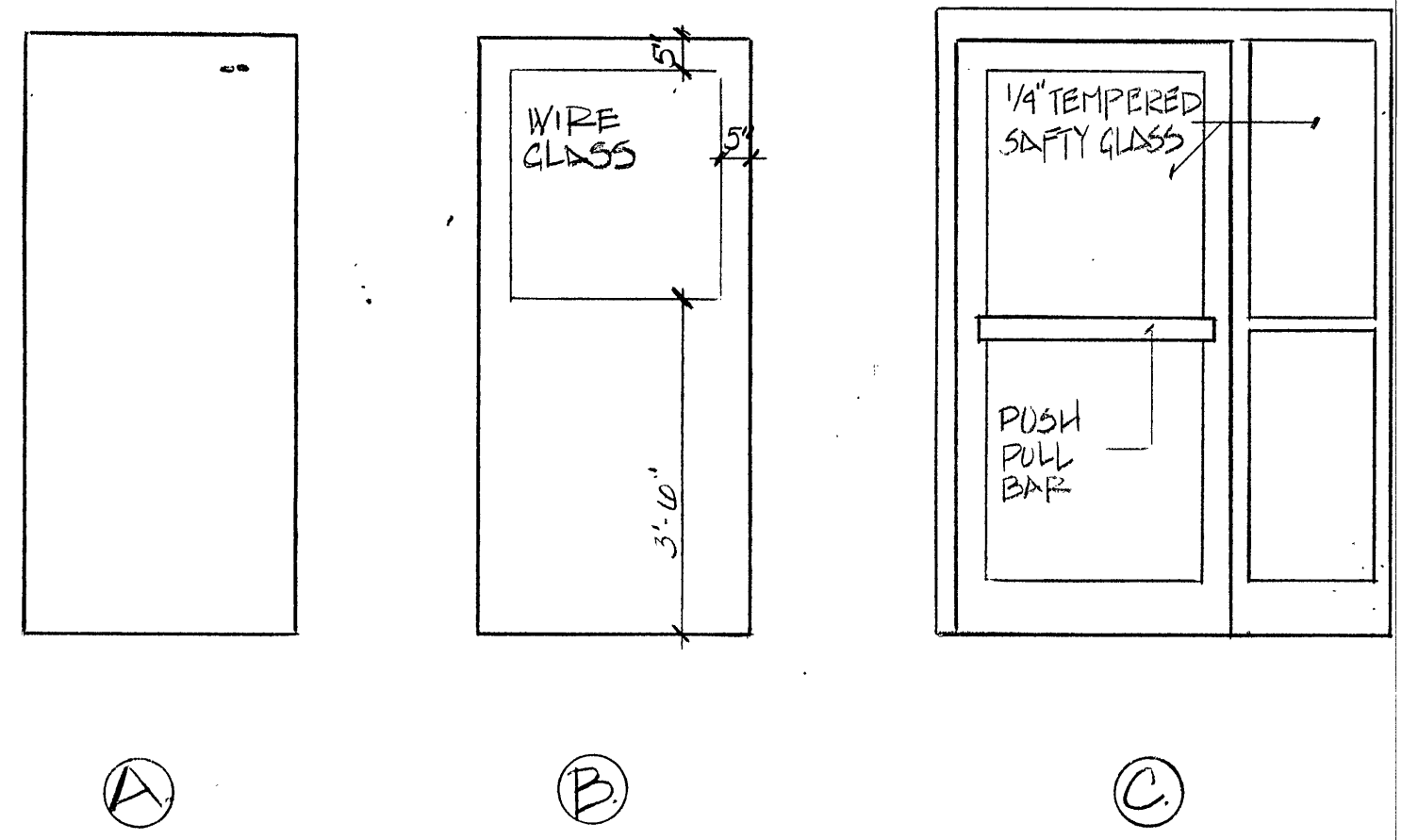


DOOR SCHEDULE																
DOOR NO.	HAND	ACTION	OPENING			DOOR				FRAME			FIRE RATING	NOTES		
			WIDTH	HEIGHT	THICKNESS	TYPE	MATERIAL	FINISH	TYPE	MATERIAL	FINISH					
041	N/A	UPWARD SWING	14'-0"	14'-0"	1 5/8"	SEE ELEV.	FACTORY FRIMP. STEEL	PAINT ①	SEE /MD7	PAINT ①	2	H.M.	PAINT ①	1	N/A	ELEC. OPERATED
042	N/A	UPWARD SWING	12'-0"	14'-0"	1 5/8"	SEE ELEV.	FACTORY FRIMP. STEEL	PAINT ①	SEE /MD7	PAINT ①	2	H.M.	PAINT ①	1	N/A	ELEC. OPERATED
023	RHRB	S/S	3'-0"	7'-0"	1 3/4"	A	H.M.	PAINT ①	3	H.M.	PAINT ①	2	H.M.	1	N/A	WS & SADDLE
024	LHRB	S/S	↑	↑	↑	A	H.M.	PAINT ①	3A	H.M.	PAINT ①	2	H.M.	6	90MIN	B LABEL
101	RH	S/S	↑	↑	↑	B	H.M.	PAINT ①	3	H.M.	PAINT ①	2	H.M.	2	20MIN	
102	RH	S/S	↑	↑	↑	A	H.M.	PAINT ①	3	H.M.	PAINT ①	2	H.M.	2	↓	
103	LH	S/S	↑	↑	↑	A	H.M.	PAINT ①	3	H.M.	PAINT ①	4	20MIN			
104	RHRB	S/S	↑	↑	↑	A	H.M.	PAINT ①	3	H.M.	PAINT ①	5	45MIN		C LABEL	
105	LHRB	S/S	↑	↑	↑	C	ALUMINUM	MODIFIED	1	ALUMINUM	MODIFIED	SEE SPECS.	N/A			
106	RHRB	S/S	↓	↓	↓	A	H.M.	PAINT ①	3	H.M.	PAINT ①	3	20MIN			
107	RHRB	S/S	3'-0"	7'-0"	1 3/4"	A	H.M.	PAINT ①	3	H.M.	PAINT ①	3	20MIN			
108	RHRB	S/S	3'-0"	7'-0"	1 3/4"	A	H.M.	PAINT ①	2	H.M.	PAINT ①	5	90MIN		B LABEL	

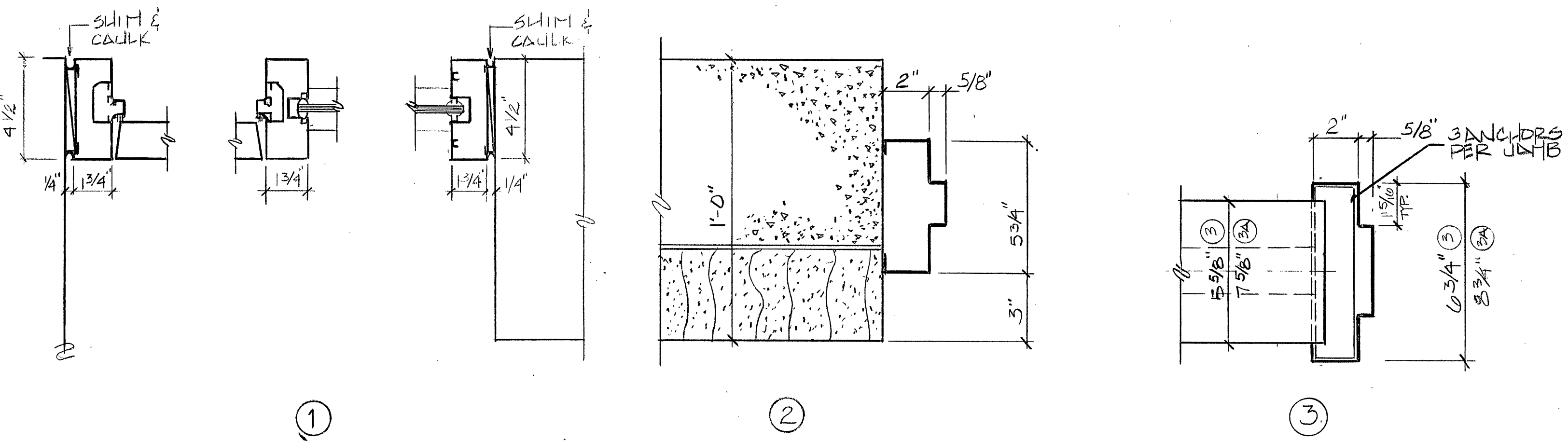
ROOM FINISH SCHEDULE										
SPACE NO.	SPACE NAME	FLOOR		BASE		WALLS		CEILING		NOTES
		MATERIAL	FINISH	MATERIAL	FINISH	MATERIAL	FINISH	MATERIAL	HT.	
B1	GARAGE/SHOP	P.CONC.	HARDENER	—	—	P.CONC.	—	ACUSTIC BOARD	*	* HT @ ELEV. 38.50'
B2	TANK ROOM	P.CONC.	HARDENER	—	—	P.CONC.	—	STRLCAL.	—	
101	SCALE OFFICE	P.CONC.	RESILIENT TILE	4" RES T	—	CMU	PAINT ②	ACUSTIC BOARD	8'-0"	
102	MGRS. OFFICE	↑	CARPET	4" RES T	—	↑	PAINT ②	↑	↑	
103	LOCKER RM.	↑	CERAMIC TILE	CERAMIC TILE	—	↑	PAINT ②	↑	↑	
104	JANITOR CLOSET	↑	HARDENER	CMU	PAINT ②	↑	↑	↑	↑	
105	ENTRY HALL	↑	RESILIENT TILE	4" RES T	—	↑	↑	↑	↑	* RECESS FOR ENTRY MAT.
106	H.C. TOILET	↑	CERAMIC TILE	CERAMIC TILE	—	↑	↑	↑	↑	
107	TOILET	↑	CERAMIC TILE	CERAMIC TILE	—	↑	PAINT ②	ACUSTIC BOARD	8'-0"	
108	MECHANICAL RM.	P.CONC.	—	—	—	CMU	—	—	—	

PAINT TYPES:  
 ① METAL ENAMEL  
 ② SEMI-GLOSS WALL ENAMEL  
 ③ MODIFIED EPOXY

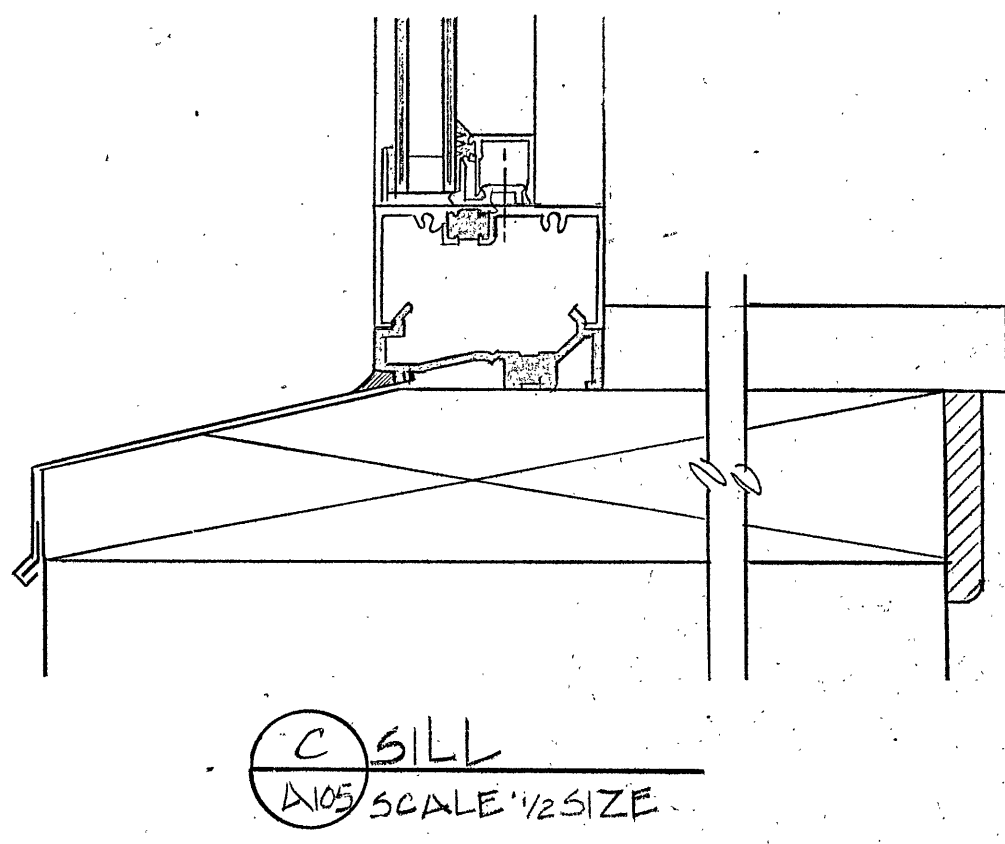
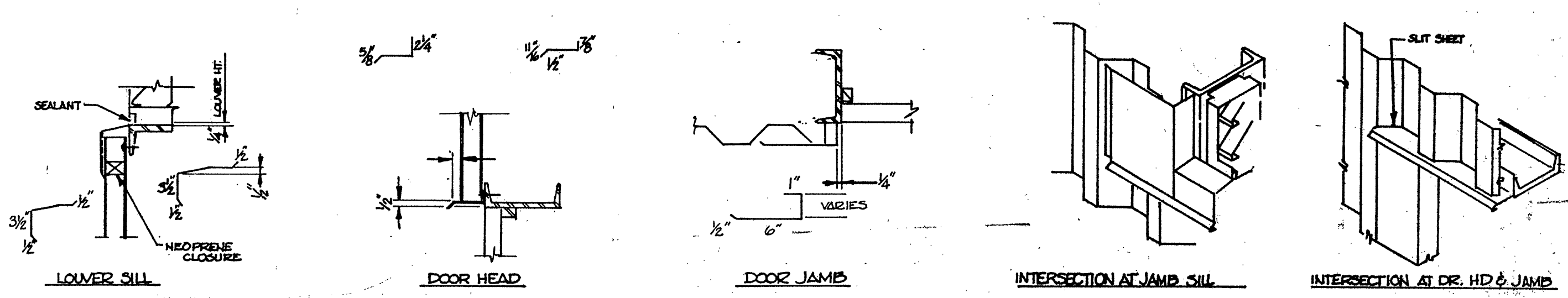
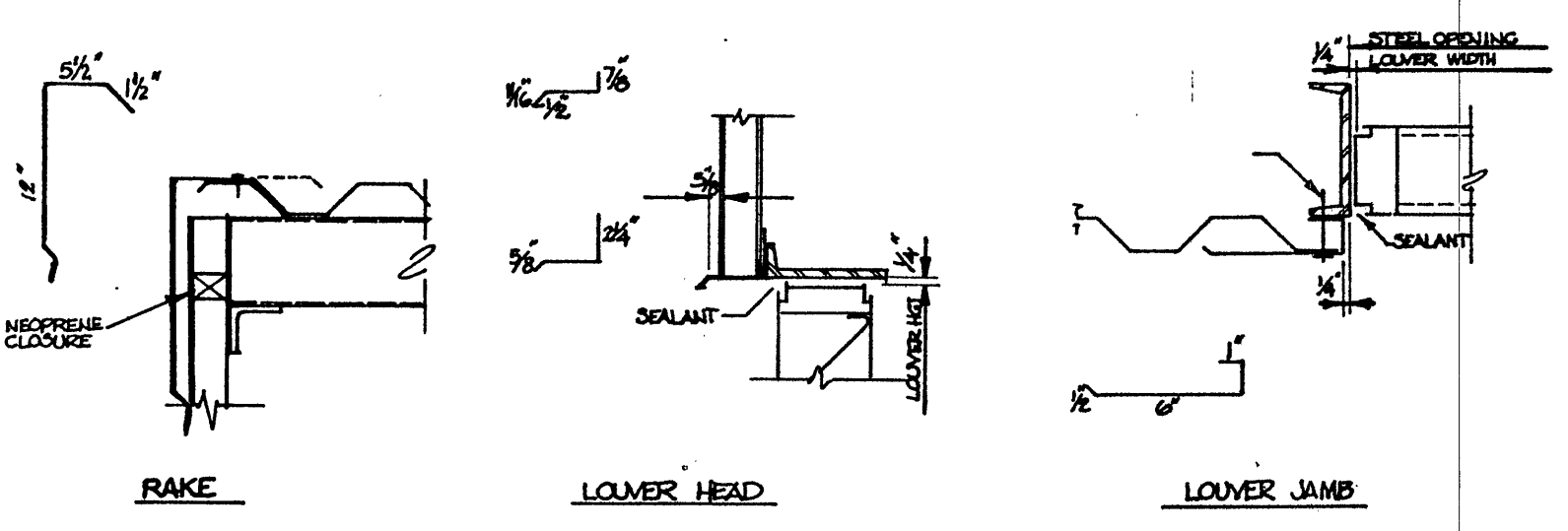
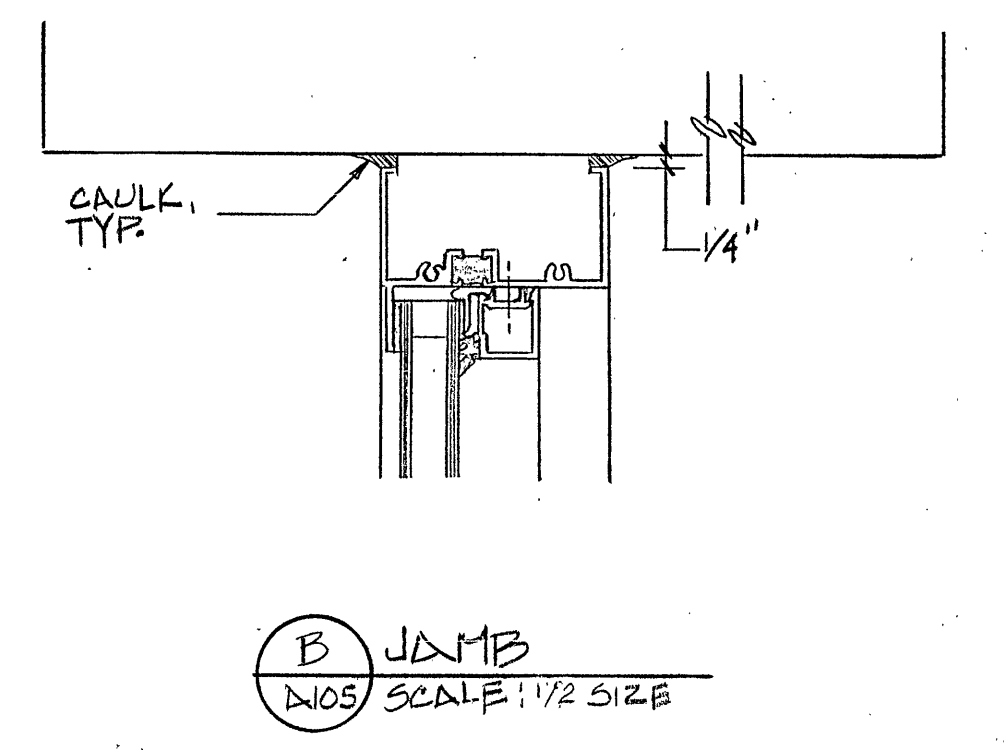
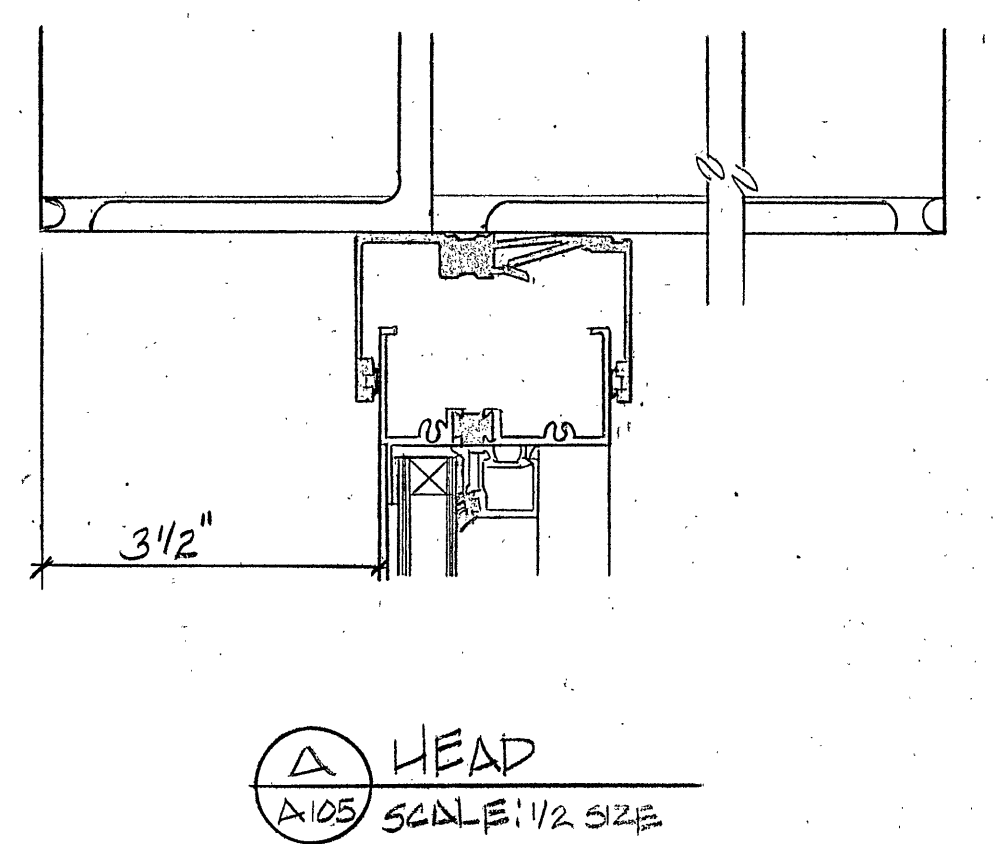
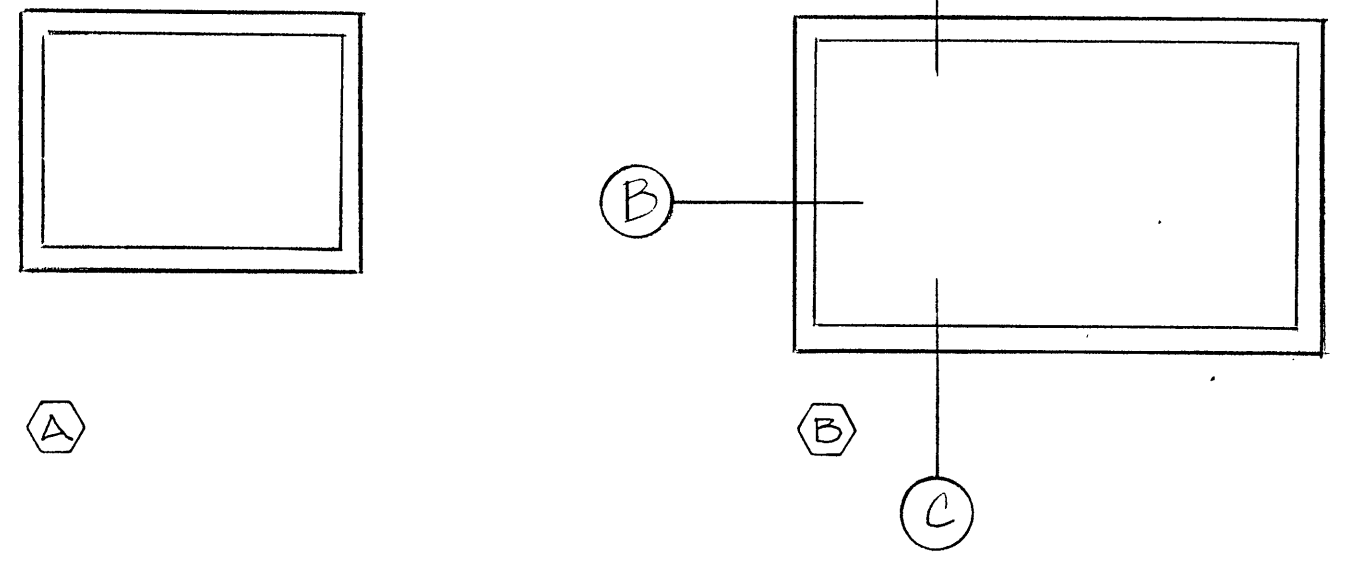
DOOR TYPES  
 SCALE: 1/2" = 1'-0"



FRAME TYPES  
 SCALE: 3" = 1'-0"



WINDOW TYPES  
 SCALE: 1/2" = 1'-0"



① METAL PANEL DETAILS  
 A105 N.T.S.

THE CENTER FOR ARCHITECTURE, INC.  
 Architecture & Engineering  
 145 W. PARKER STREET, P.O. BOX 1818  
 WALLINGFORD, CONNECTICUT 06495  
 TELEPHONE (800) 259-0004  
 FAX (800) 259-0002

Transfer Station Offices  
 Middletown Avenue Landfill  
 New Haven, Connecticut  
 Schedules / Notes / Details

Drawn by: SKB  
 Checked by: CKS  
 Date: JULY 2, 1990  
 Revisions:

A105

1115-09-B