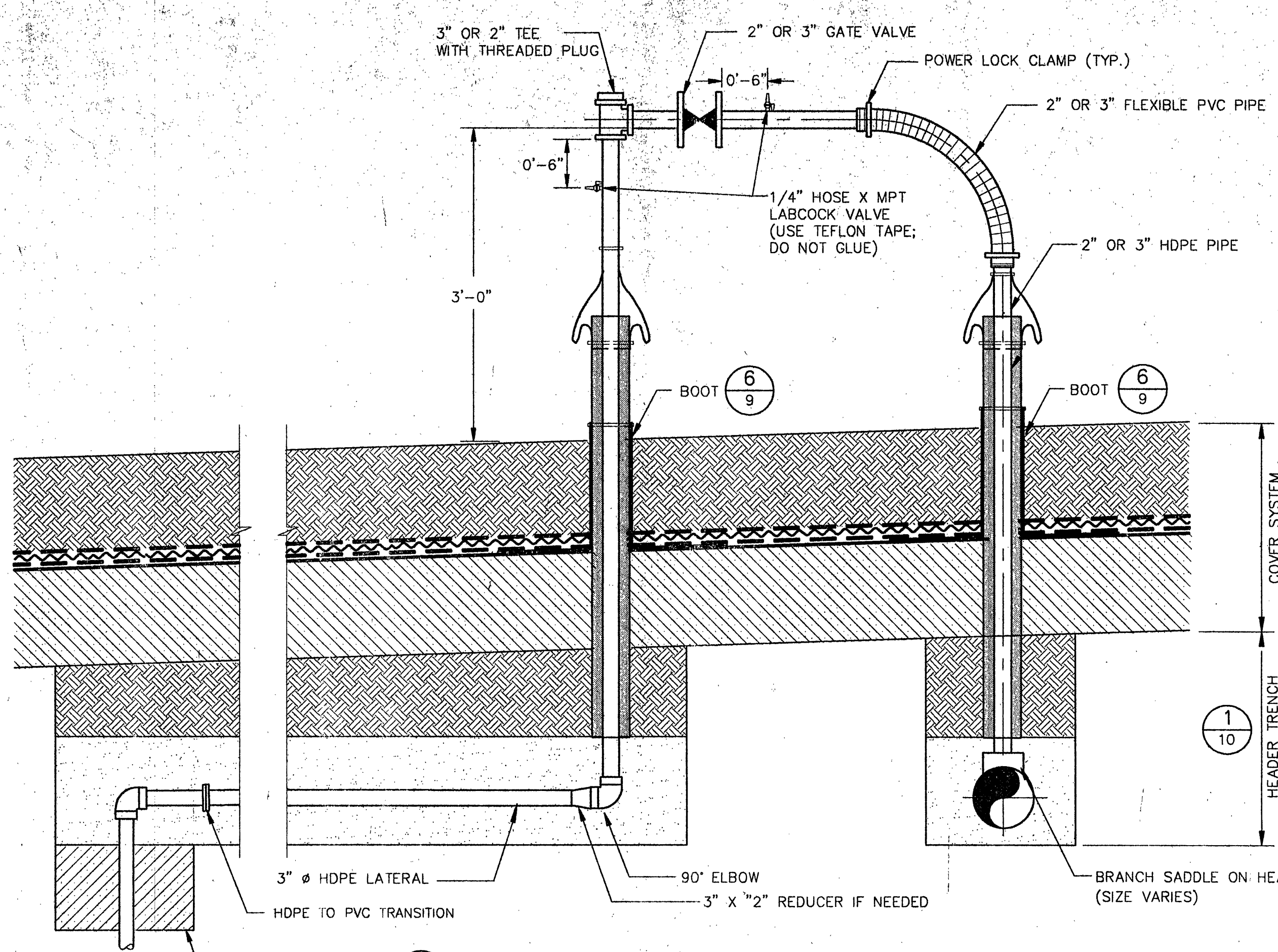
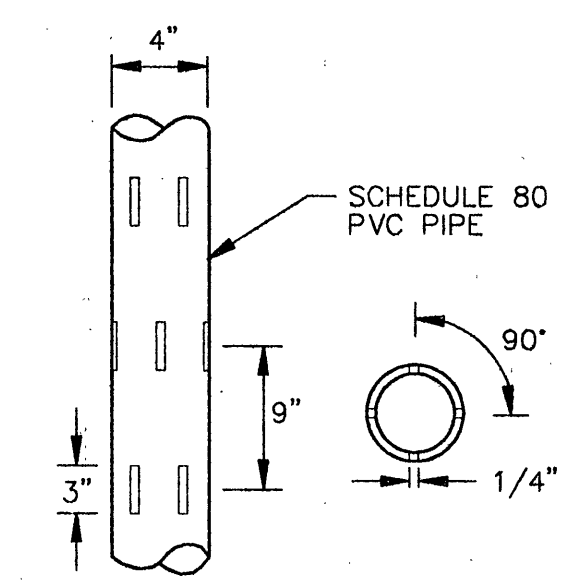


NOTES:
1. SEE WELL SCHEDULE FOR DIMENSIONS

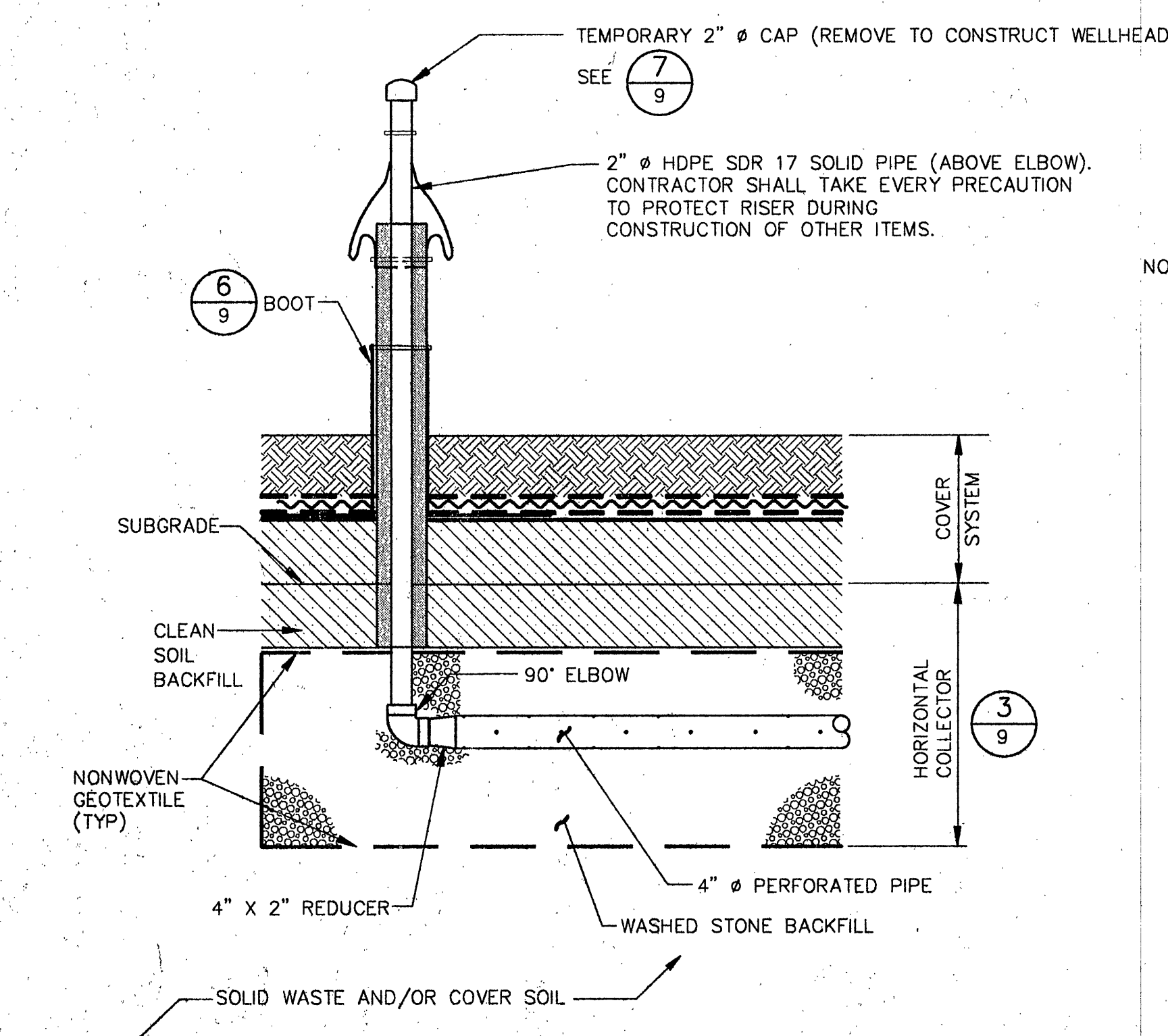
1
LFG EXTRACTION WELL DETAIL
NO SCALE



8
REMOTE WELLHEAD
NO SCALE

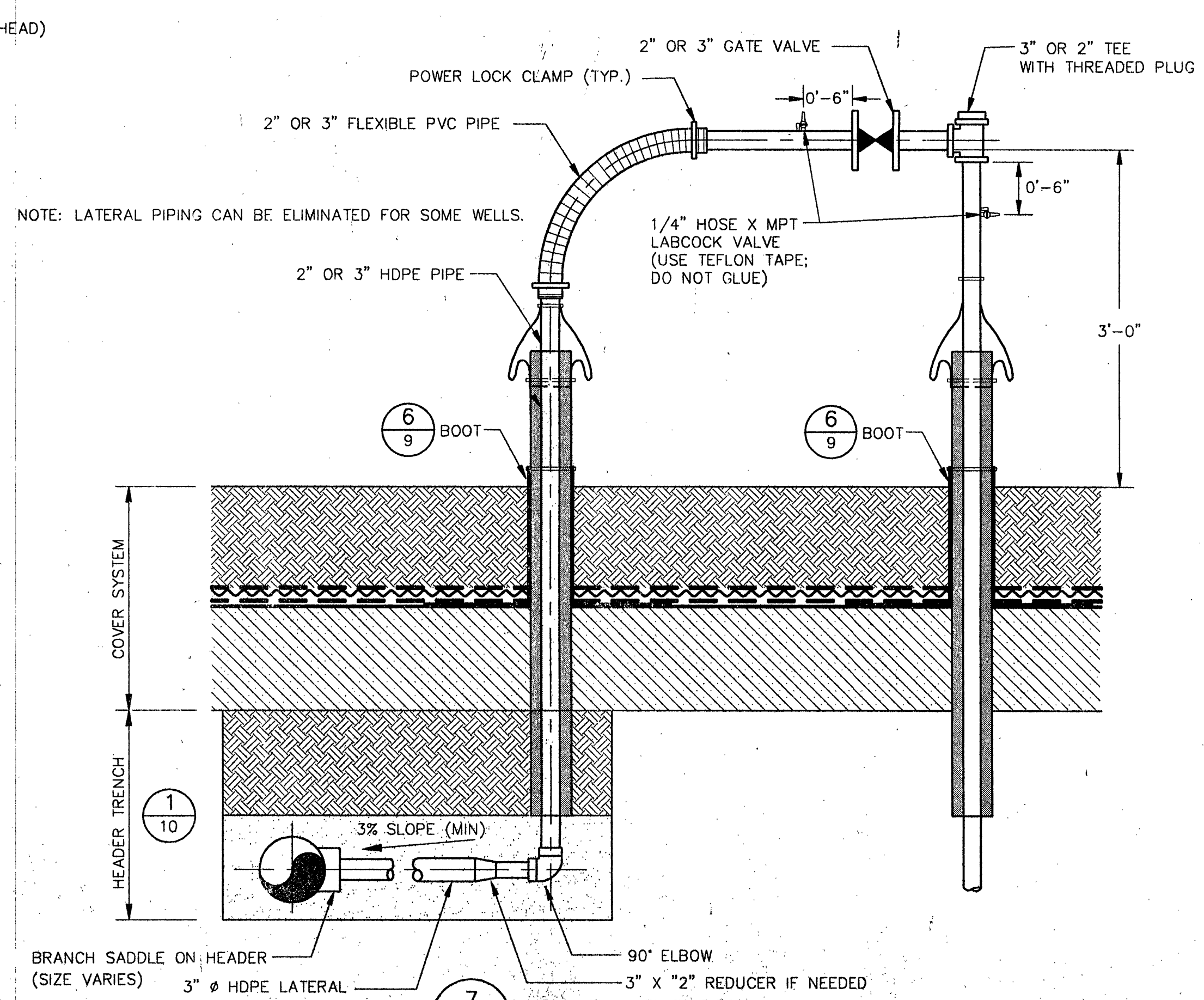


2
SLOTTED PIPE
NO SCALE

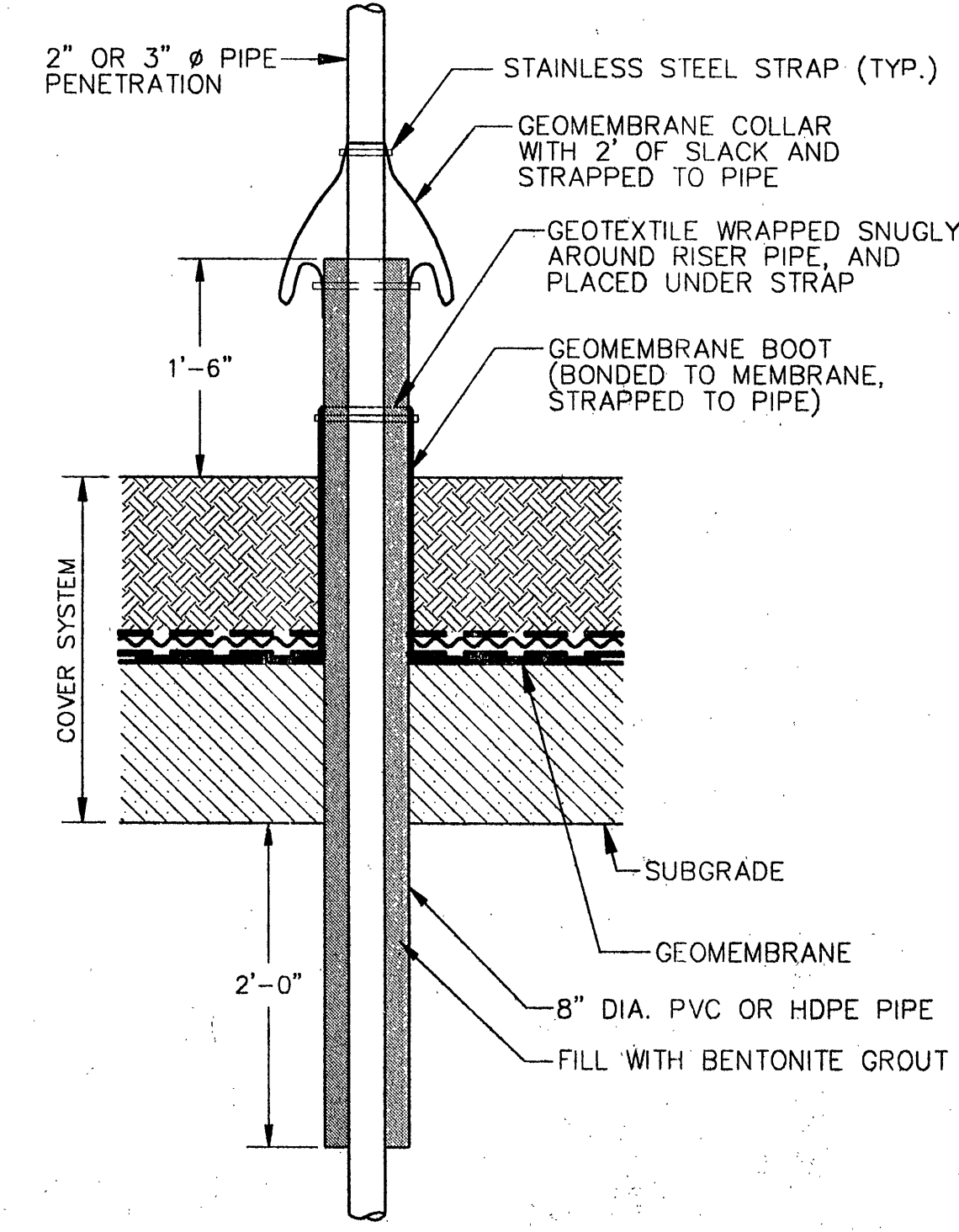


NOTES:
1. LFG HORIZONTAL COLLECTORS SHALL BE INSTALLED PRIOR TO INSTALLATION OF FINAL COVER SYSTEM.
2. WELL CAPS TO BE REMOVED AND WELLHEAD ASSEMBLY ADDED AFTER FINAL COVER SYSTEM IS IN PLACE.

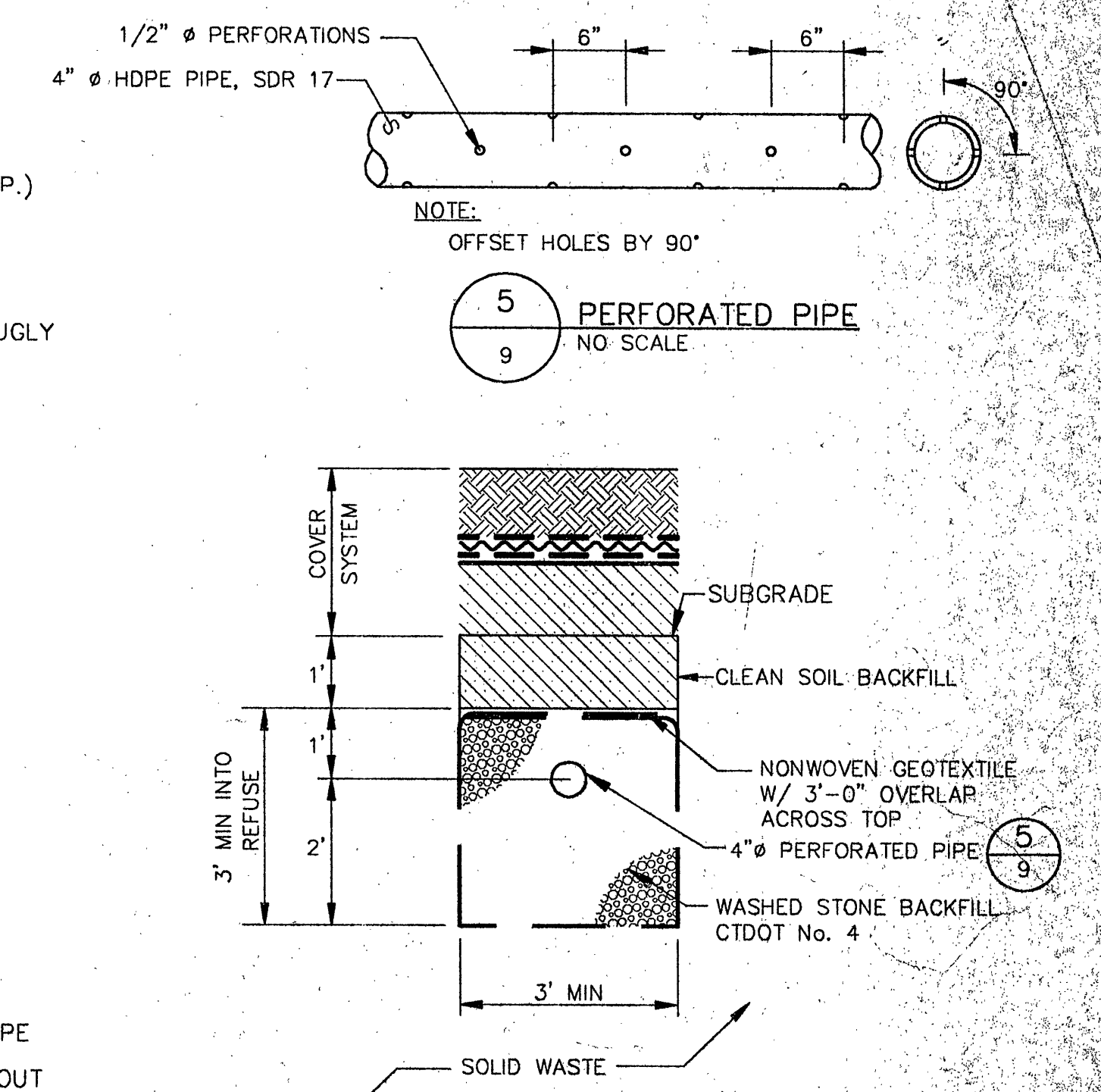
4
LFG HORIZONTAL COLLECTOR TIE-IN
NO SCALE



7
LFG WELLHEAD DETAIL
NO SCALE



6
BOOT DETAIL
NO SCALE



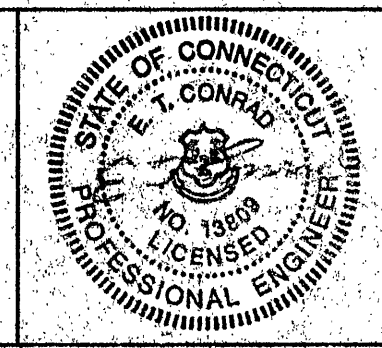
NOTES:
1. LFG HORIZONTAL COLLECTORS SHALL BE INSTALLED PRIOR TO INSTALLATION OF THE FINAL COVER SYSTEM BUT AFTER REQUIRED SUBGRADE PREPARATION.

5
PERFORATED PIPE
NO SCALE

3
LFG HORIZONTAL COLLECTOR
NO SCALE

WELL SCHEDULE					
WELL NO.	NORTHING	EASTING	A (ft.)	B (ft.)	WELL HEAD SIZE (in.)
1	180270	562882	50	30	2
2	180450	562903	55	35	2
3	180615	562923	50	30	2
4	180766	562944	45	25	2
5	180922	562886	70	50	2
6	181034	562976	45	25	2
7	181104	562855	40	20	2
8	180966	562743	45	25	2
9	180861	562658	50	30	2
10	180750	562608	50	30	2
11	180630	562544	55	35	2
12	180518	562466	55	35	2
13	180404	562379	60	40	2
14	180282	562321	65	45	2
15	180190	562191	50	30	2
16	180063	562130	50	30	2
17	179887	562145	55	35	2
18	179927	562270	55	35	2
19	179954	562419	50	30	2
20	180162	562806	50	30	2
21	180020	562672	75	55	2
22	180100	562495	75	55	2
23	180105	562329	75	55	2
24	180228	562476	80	60	3
25	180363	562572	80	60	3
26	180191	562621	80	60	3
27	180346	562703	80	60	3
28	180476	562704	80	60	3
29	180620	562754	80	60	3
30	180776	562808	80	60	2
HC-1	179772	562252	-	-	2
HC-2	179784	562268	-	-	2
HC-3	180205	563030	-	-	2
HC-4	180228	563026	-	-	2
HC-5	180987	563049	-	-	2

SCS ENGINEERS, PC
2 CROSSFIELD AVENUE
WEST NYACK, NEW YORK 10994
(914) 353-5727 FAX (914) 353-5731



REVISIONS				DES	GPM
NO.	BY	DATE	REMARKS	DMN	WFO
1					
2					
3					
4					
5					
6					
7					

CITY OF NEW HAVEN DEPARTMENT OF PUBLIC WORKS
NEW HAVEN, CONNECTICUT
MIDDLETOWN AVENUE LANDFILL CLOSURE

MIDDLETOWN AVENUE LANDFILL
LANDFILL GAS
DETAILS
SCALE: AS SHOWN

DATE: 10/8/97
D-1 SHEET 9 OF 15
CAD REF. NO. 1394006/CONSTD-1